

# ExciControl Plough

Complete systems / Snow Plough / 14/03/2016



## Control snow plough with front and side plough

ExciControl Plough is a system constructed using modern technology to provide an ergonomic design and take up little space, and to be easy to fit. Everything is controlled from the **ExciPad 100-80** keypad supplied. The system is supplied complete with cables and a diagram for easy installation. ExciControl Plough has built-in automatic reversing so that the snow ploughs are raised automatically when reversing, such as at junctions.

- Built-in automatic reversing (raises the snow ploughs automatically when reversing)
- Radio control for snow ploughs (optional)
- Functions for sand and salt spreaders
- Complete interface for communication with vehicle PC and map software
- Takes up little space
- Easy installation



## The system comprises

### Keypad: **ExciPad 100-80**

ExciPad 100-80 is a small keypad (115x80x35 mm) which is easy to fit in an appropriate location in the cab. The unit includes everything you need to control your snow ploughs with ease.

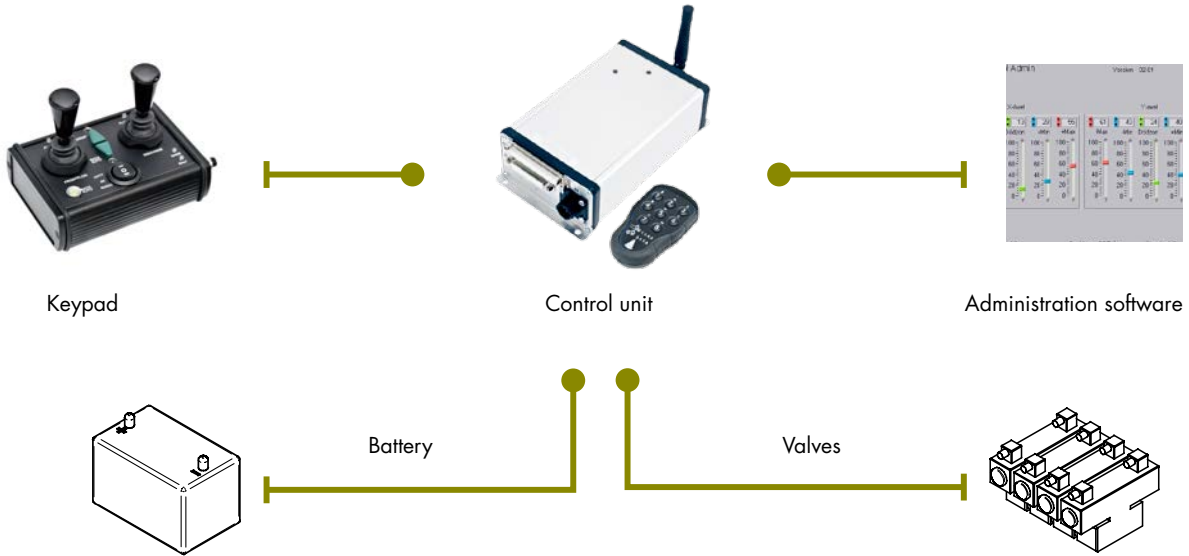
### Control unit: **ExciControl 16-16**

This small-format (106x103x55 mm) control unit can be positioned with ease in the cab. If you have selected the option with radio, there is an aerial on the control unit and a transmitter (handheld unit) is supplied. **ExciControl Admin** can be selected if you want to be able to change settings on a PC.



# ExciControl Plough

Complete systems / Snow Plough / 14/03/2016



## Control unit

### General

Supply voltage	12/24 VDC
Power consumption, idle	Max 200 mA
Dimensions	100x169x52
Fuse	Automatic
Reset	Automatic

### Inputs, used as digital or analogue

Quantity 16 x	Digital	Analogue
Signal range	0-32 VDC	0-5 VDC
Active range	4-32 VDC	0,5-4,5 VDC

### Outputs, used as digital or analogue (max 8 x)

Quantity 16 x	Digital	Analogue
Output current	24V Max 2A	24V 0-2000 mA
	12V Max 3A	12V 0-3000 mA

## Administration software: ExciControl Admin

### Technical data

Compatibility	Win 95 or higher
Data communication	RS 232

### Analogue inputs

Quantity	0-16 functions
Individual adjustment	Deadband
Joint adjustment	Active range

### Digital inputs

Quantity	0-16 functions
Individual adjustment	On/off Time settings

### Analogue outputs

Quantity	0-8 functions
Individual adjustment	Min current, Max current
Joint adjustment	Frequency