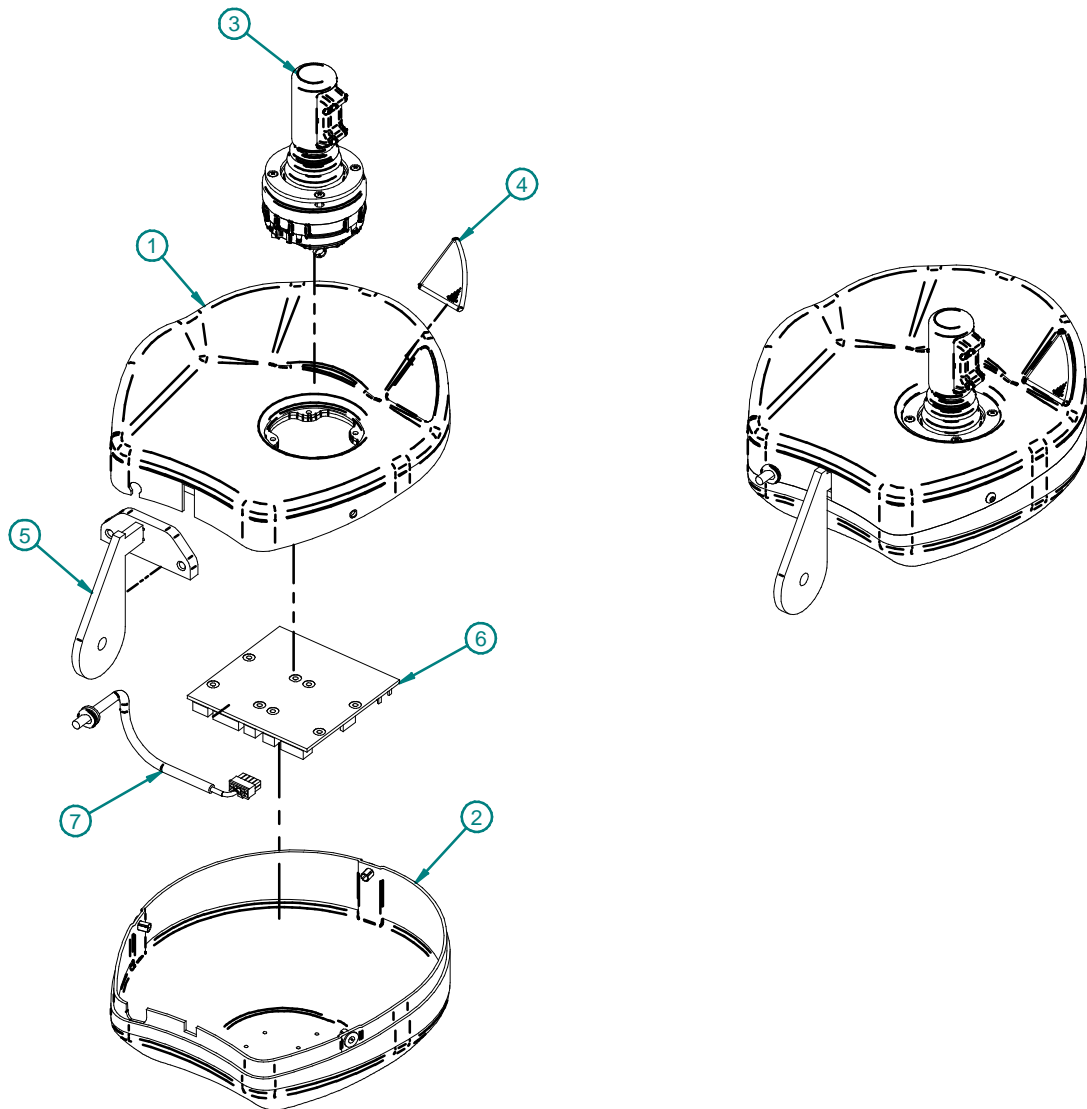
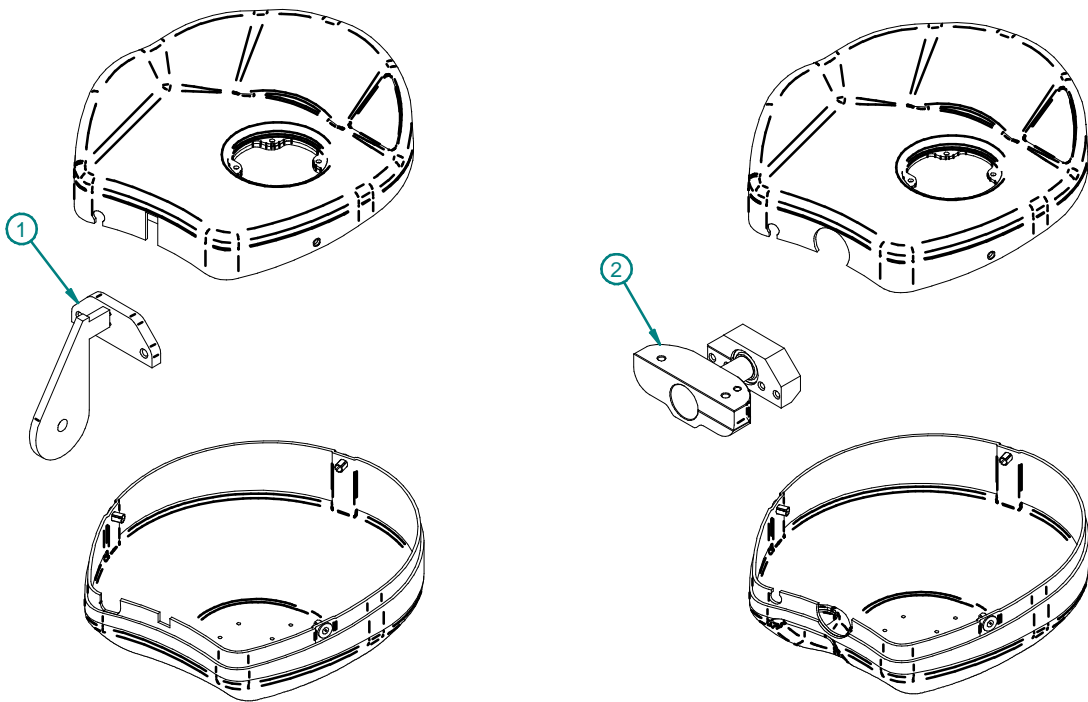


EP2006 Basic model left


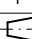


Pos	Subject	Code
	ExciPad Left basic model incl CAN	BL1
	ExciPad Right basic model incl CAN	BR1
1	Top cover armrest Frameco	
2	Bottom cover armrest Frameco	
3	Joystick Otto JHM standard	J1
4	Decal Excidor	
5	Armrest bracket left Frameco	AB1
6	CAN Interface J1939	
7	Harness 1300mm ID11	

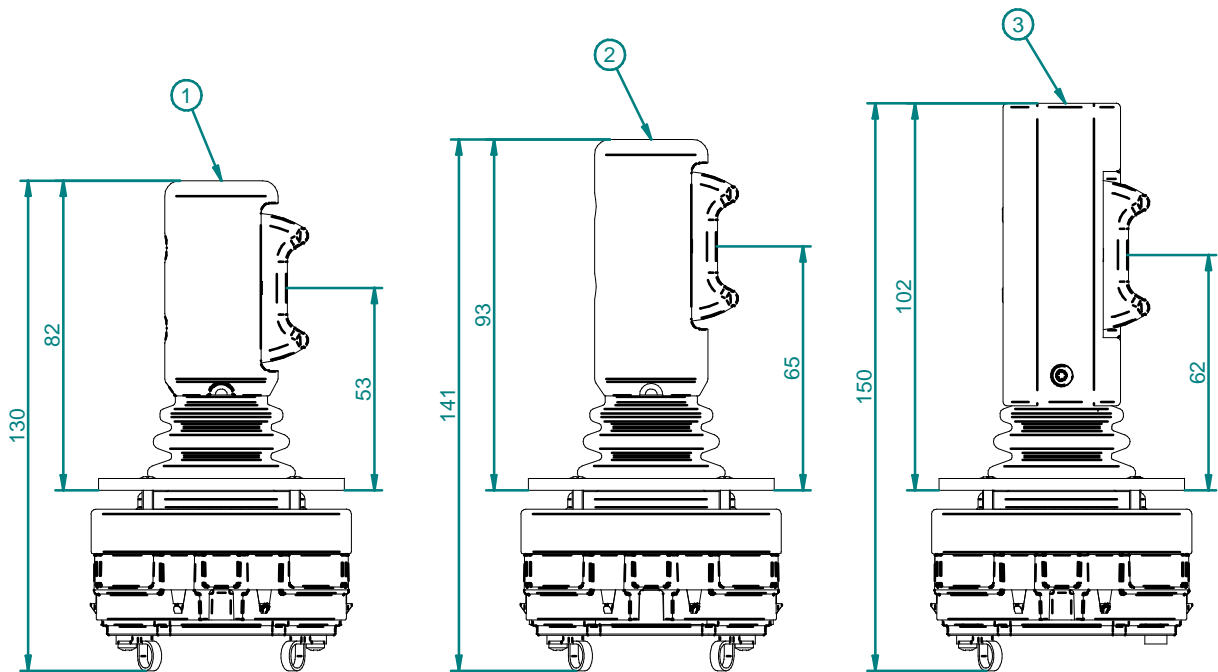
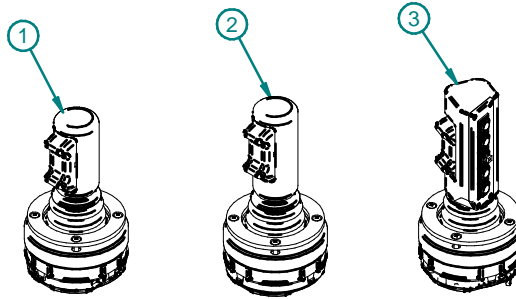
Armrest bracket options (includes unique covers)



Pos	Subject	Code
1	Armrest bracket left Frameco	AB1
2	Armrest bracket left Sittab 2LK	AB2

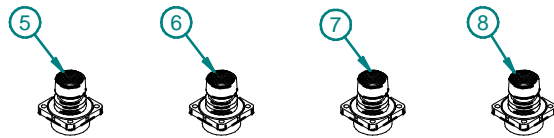
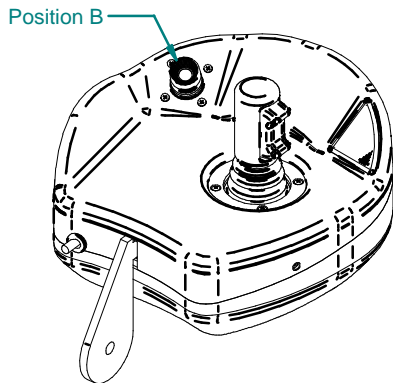
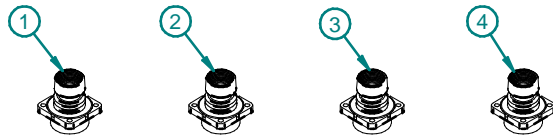
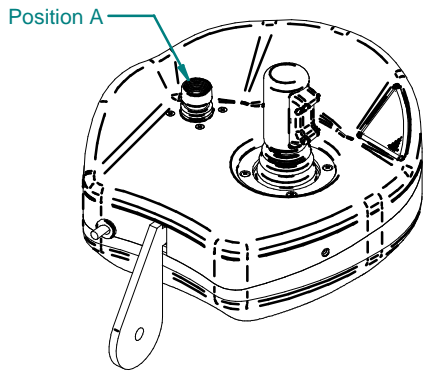
Skala 1:1 om annat ej anges	2				Bys	11-10-20		EP2006 Left keypad Basic & options	Sida 2 av 12
För ej toleranssatta mått gäller +/- 1mm	1				1				
Material	Denna ritning får ej utan vårt medgivande utlämnas till tredje person					A4			EP2006L

Joystick options



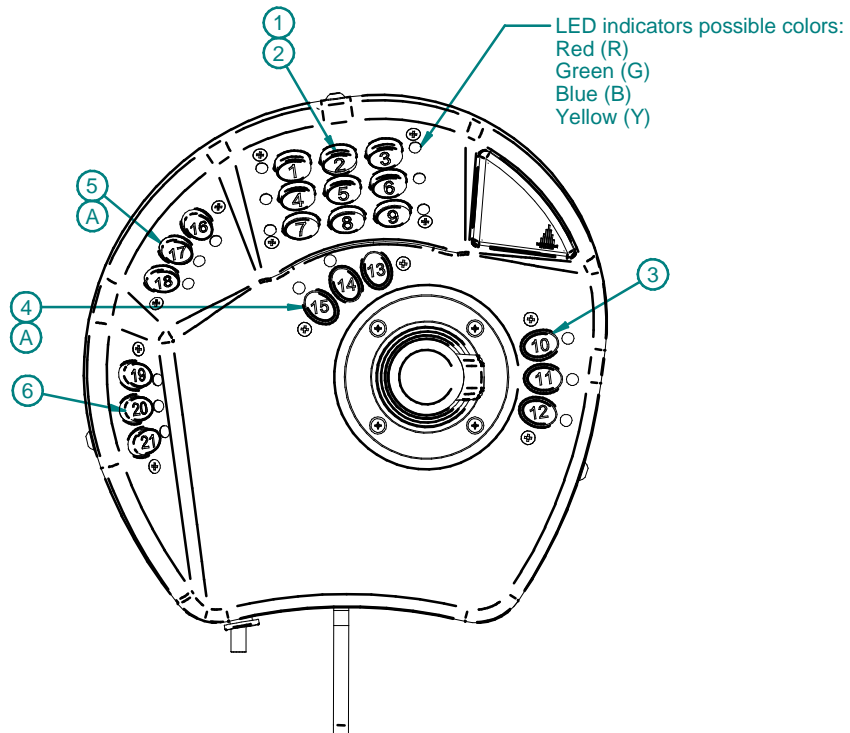
Pos	Subject	Code
1	Joystick Otto JHM (standard)	J1
2	Joystick Otto JHM extended	J2
3	Joystick Otto JHM incl 5 buttons	J3

Extra Joystick options



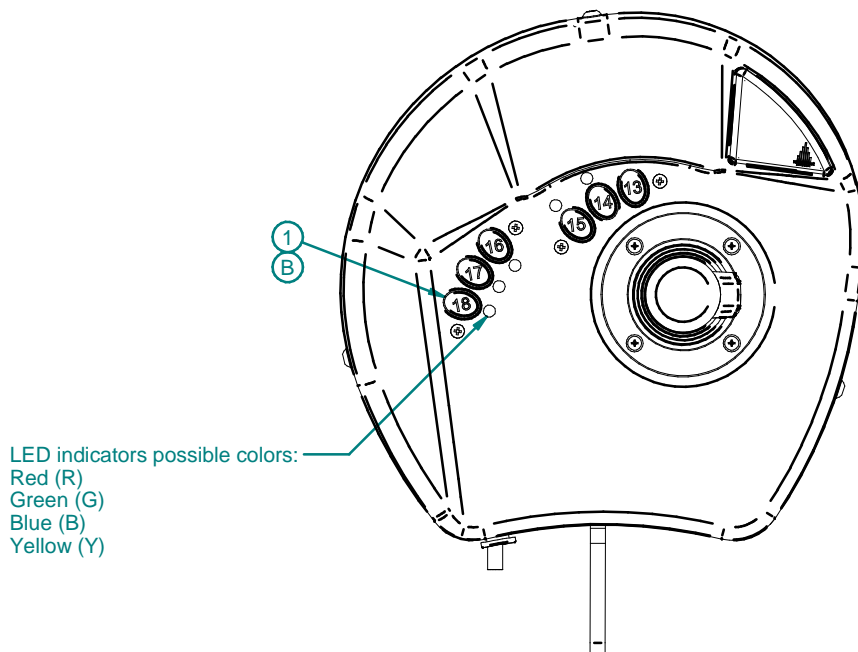
Pos	Subject	Code
1	Joystick HTL2, 1-axis (fwd-rev)	J4AY
2	Joystick HTL2, 1-axis (sideways)	J4AX
3	Joystick HTL4, 2-axis	J5A
4	Joystick HTL4, 2-axis (guided)	J6A
5	Joystick HTL2, 1-axis (fwd-rev)	J4BY
6	Joystick HTL2, 1-axis (sideways)	J4BX
7	Joystick HTL4, 2-axis	J5B
8	Joystick HTL4, 2-axis (guided)	J6B

Keys & silicone options



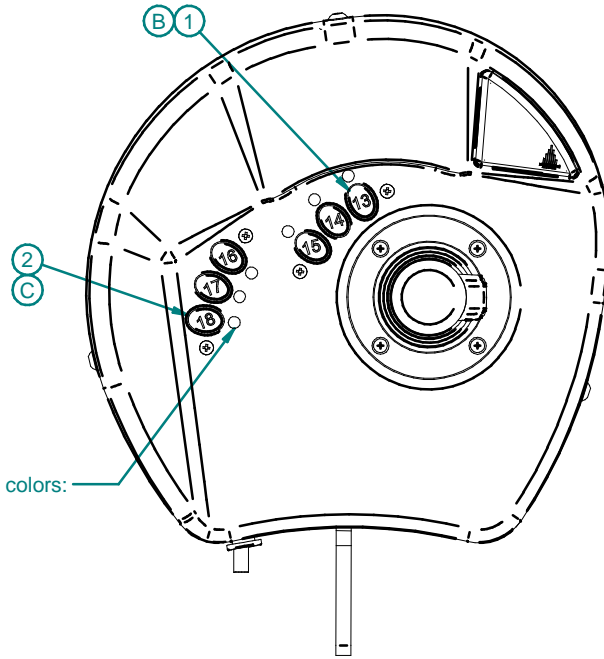
Pos	Subject	Code
1	Silicone set (1x9, 4x3) no 1-21	SC1
2	9-button keyboard 1-9	K1-9
2	LED Indicator 1	L1 (R)(G)(B)(Y)
2	LED Indicator 3	L3 (R)(G)(B)(Y)
2	LED Indicator 4	L4 (R)(G)(B)(Y)
2	LED Indicator 6	L6 (R)(G)(B)(Y)
2	LED Indicator 7	L7 (R)(G)(B)(Y)
2	LED Indicator 9	L9 (R)(G)(B)(Y)
3	3-button keyboard 10-12	K10-12
3	LED Indicator 10	L10 (R)(G)(B)(Y)
3	LED Indicator 11	L11 (R)(G)(B)(Y)
3	LED Indicator 12	L12 (R)(G)(B)(Y)
4	3-button keyboard 13-15 (pos A)	K13-15A
4	LED Indicator 14 (pos A)	L14A (R)(G)(B)(Y)
4	LED Indicator 15 (pos A)	L15A (R)(G)(B)(Y)
5	3-button keyboard 16-18 (pos A)	K16-18A
5	LED Indicator 16 (pos A)	L16A (R)(G)(B)(Y)
5	LED Indicator 17 (pos A)	L17A (R)(G)(B)(Y)
5	LED Indicator 18 (pos A)	L18A (R)(G)(B)(Y)
6	3-button keyboard 19-21	K19-21
6	LED Indicator 19	L19 (R)(G)(B)(Y)
6	LED Indicator 20	L20 (R)(G)(B)(Y)
6	LED Indicator 21	L21 (R)(G)(B)(Y)

Keys & silicone options



Pos	Subject	Code
1	3-button keyboard 16-18 (pos B)	K16-18B
1	LED Indicator 16 (pos B)	L16B (R)(G)(B)(Y)
1	LED Indicator 17 (pos B)	L17B (R)(G)(B)(Y)
1	LED Indicator 18 (pos B)	L18B (R)(G)(B)(Y)

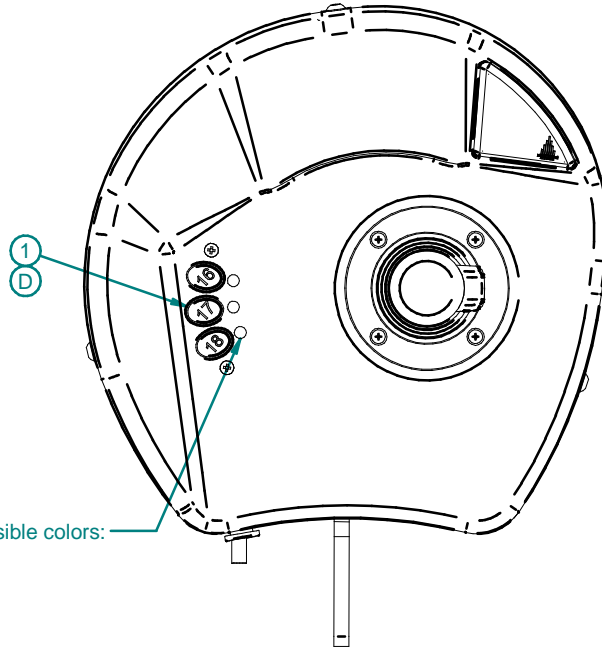
Keys & silicone options



LED indicators possible colors:
 Red (R)
 Green (G)
 Blue (B)
 Yellow (Y)

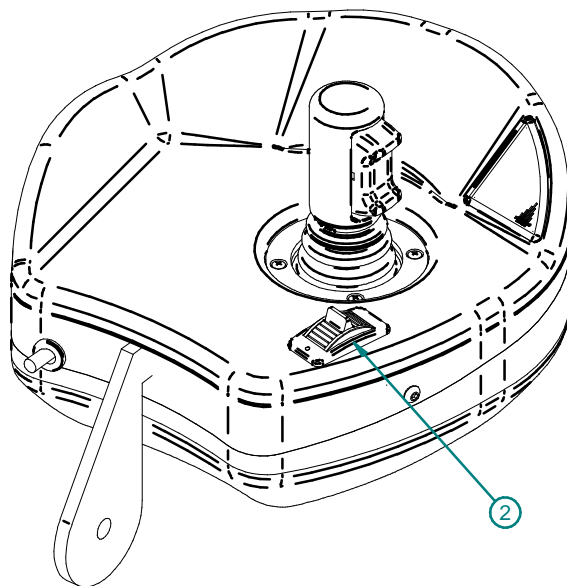
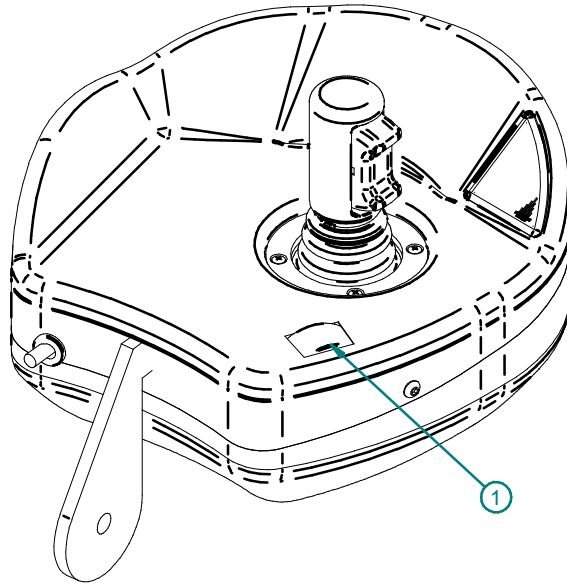
Pos	Subject	Code
1	3-button keyboard 13-15 (pos B)	K13-15B
1	LED Indicator 13 (pos B)	L13B (R)(G)(B)(Y)
1	LED Indicator 14 (pos B)	L14B (R)(G)(B)(Y)
1	LED Indicator 15 (pos B)	L15B (R)(G)(B)(Y)
2	3-button keyboard 16-18 (pos C)	K16-18C
2	LED Indicator 16 (pos C)	L16C (R)(G)(B)(Y)
2	LED Indicator 17 (pos C)	L17C (R)(G)(B)(Y)
2	LED Indicator 18 (pos C)	L18C (R)(G)(B)(Y)

Keys & silicone options



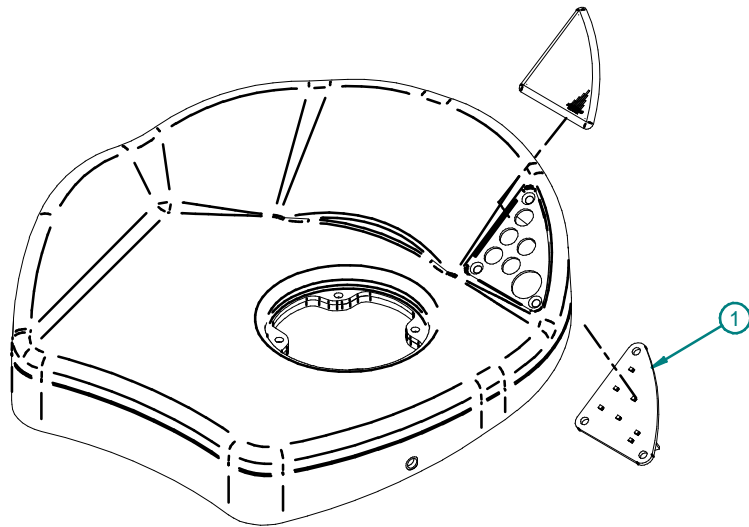
Pos	Subject	Code
1	3-button keyboard 16-18 (pos D)	K16-18D
1	LED Indicator 16 (pos D)	L16D (R)(G)(B)(Y)
1	LED Indicator 17 (pos D)	L17D (R)(G)(B)(Y)
1	LED Indicator 18 (pos D)	L18D (R)(G)(B)(Y)

Proportional Roller options


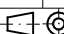


Pos	Subject	Code
1	Roller Wheel	R1
2	Roller HTW Friction	R2

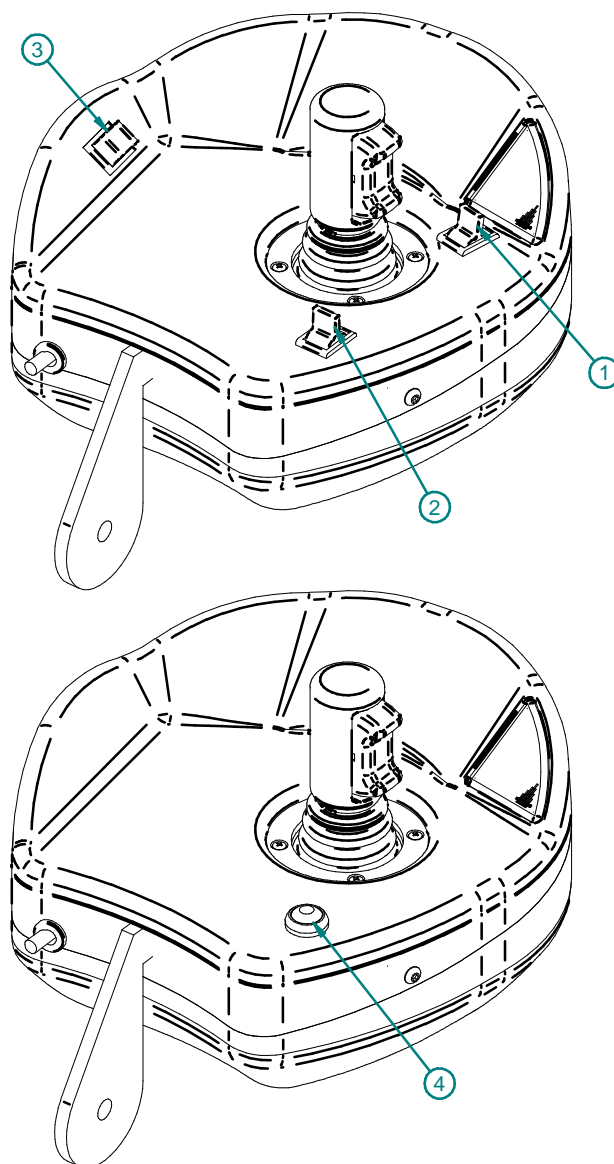
LED Indicator options



Pos	Subject	Code
1	LED Circuit board	LD
	Basic background ligt for logotype. As options possible to get 5 different symbols that can be activatet by LED	

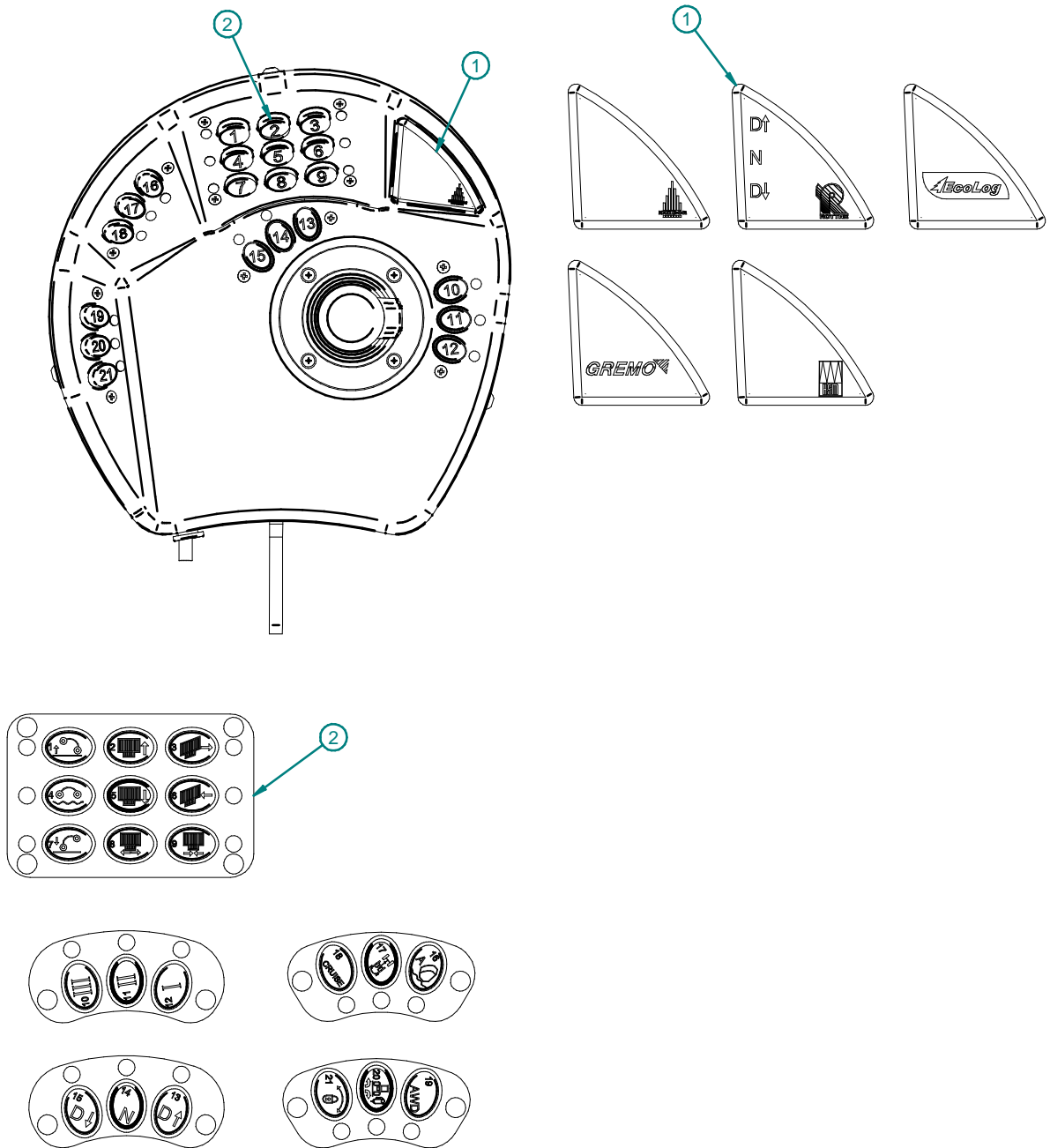
Skala 1:1 om annat ej anges	2				Bys	11-10-20	 EP2006 Left keypad Basic & options	Sida 10 av 12
För ej toleranssatta mått gäller +/- 1mm	1				1			 A4
Material	Denna ritning får ej utan vårt medgivande utlämnas till tredje person							

Extra switch options



Pos	Subject	Code
1	Rocker switch 2-way	XS1
1	Rocker switch 3-way	XS2
2	Rocker switch 2-way	XS3
2	Rocker switch 3-way	XS4
3	Rocker switch 2-way	XS5
3	Rocker switch 3-way	XS6
4	Push button switch	XS7

Customer designed options



Pos	Subject	Code
1	Customer designed decal	CD
2	Customer designed silicone	CS