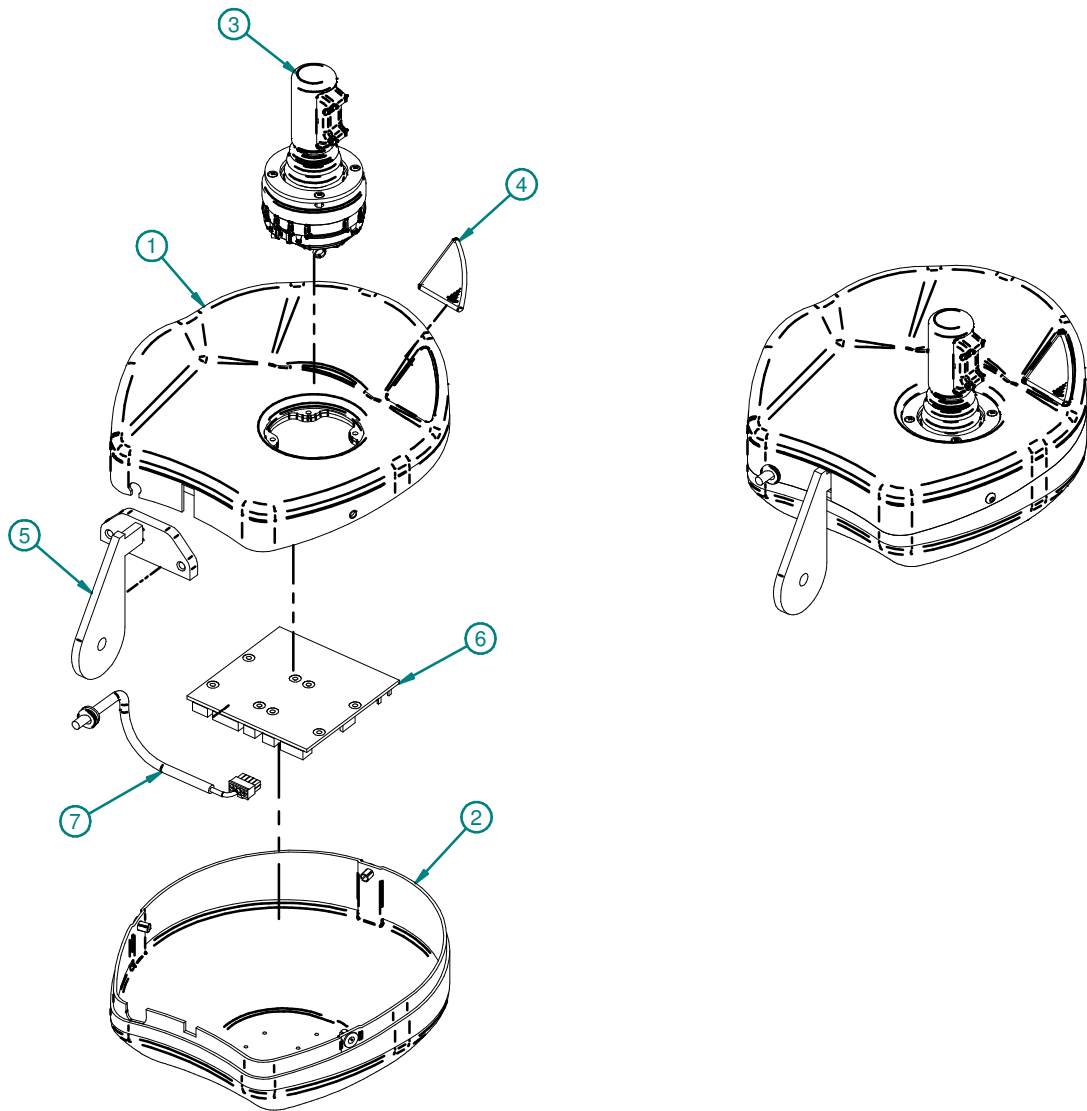
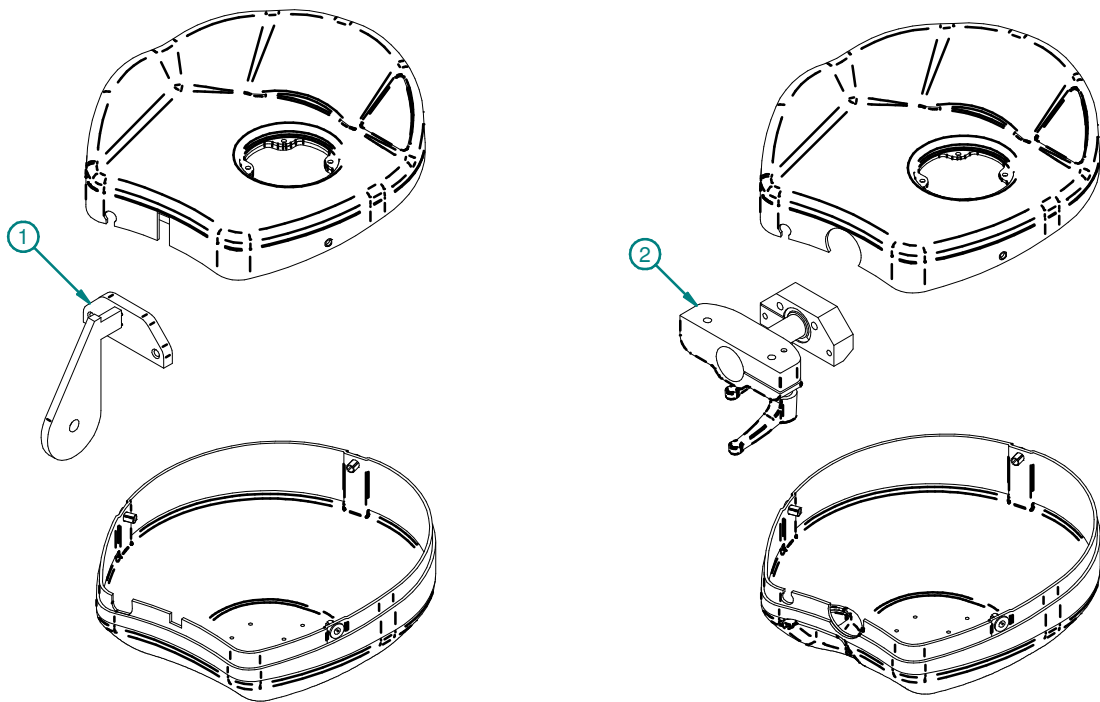


# EP2006 Basic model left / (right)


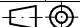


Pos	Subject	Code
	ExciPad Left basic model incl CAN	BL1
	ExciPad Right basic model incl CAN	BR1
1	Top cover armrest Frameco	
2	Bottom cover armrest Frameco	
3	Joystick Otto JHM standard	(J1)
4	Decal Excidor	
5	Armrest bracket left Frameco	(AB1)
6	CAN Interface J1939	
7	Harness 1300mm ID11 left (ID21 right)	

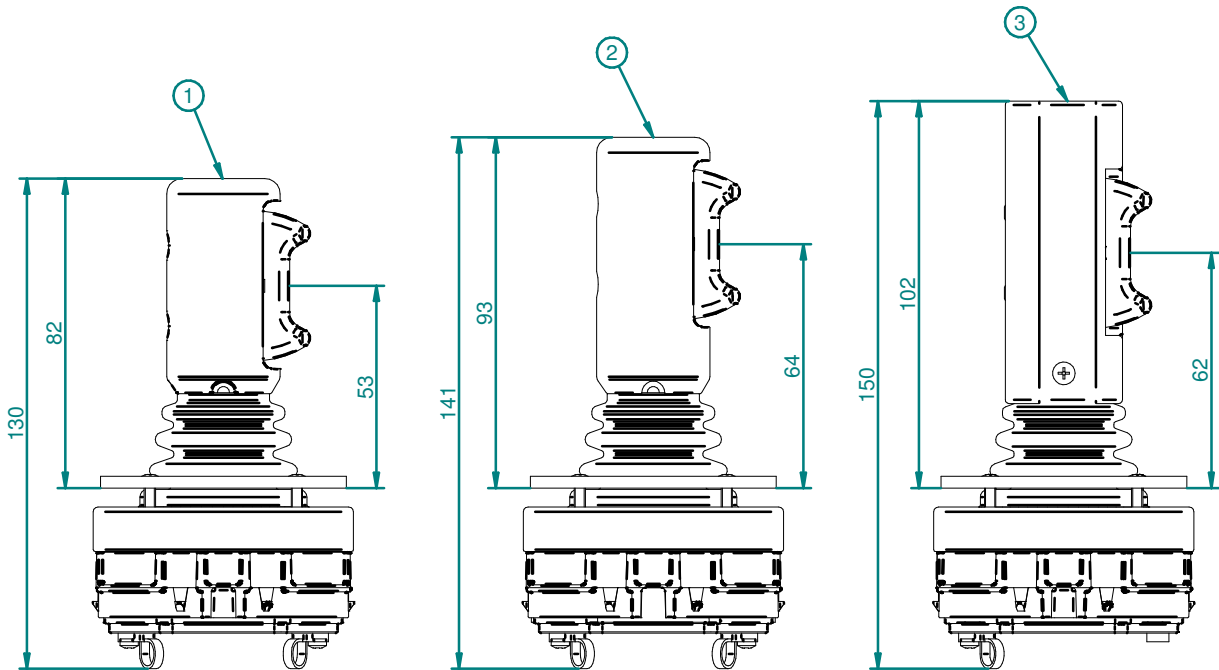
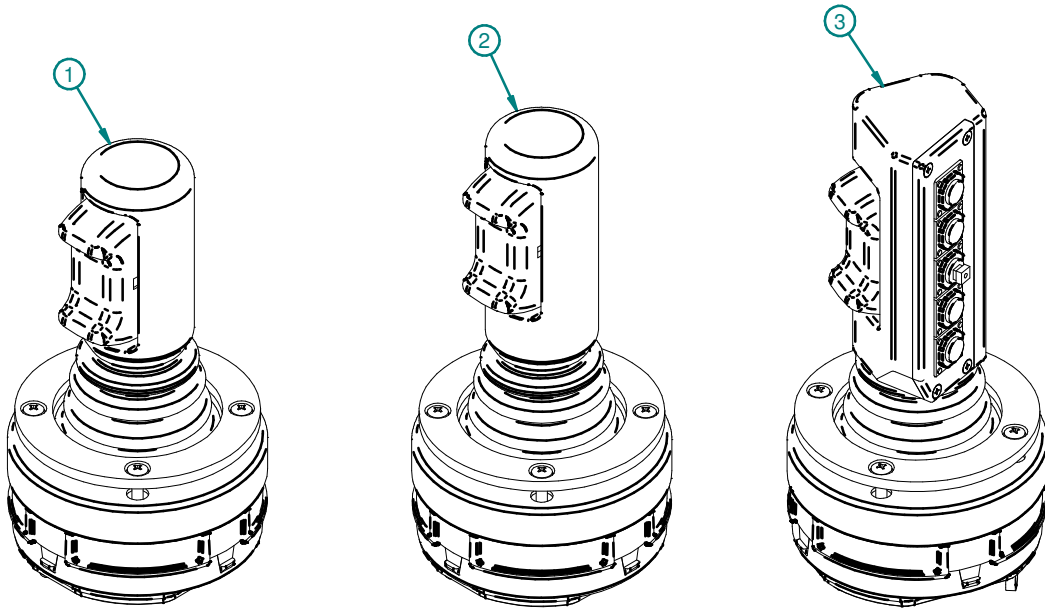
# Armrest bracket options (includes unique covers)




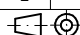
Pos	Subject	Code
1	Armrest bracket left Frameco	AB1
2	Armrest bracket left Sittab 2LK	AB2

Skala 1:1 om annat ej anges	2				TJN	2019-11-07	 EP2006 Keypad Basic & options	Sida 2 av 10
För ej toleranssatta mått gäller +/- 1mm	1				2			 A4
Material	Pos	Ändring	Sign	Datum	Denna ritning får ej utan vårt medgivande utlämnas till tredje person			

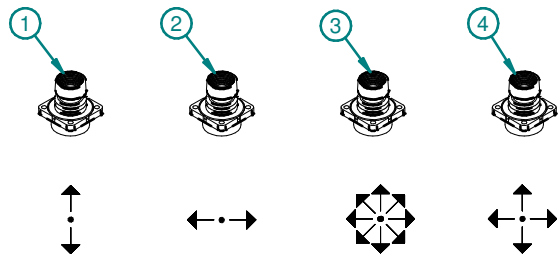
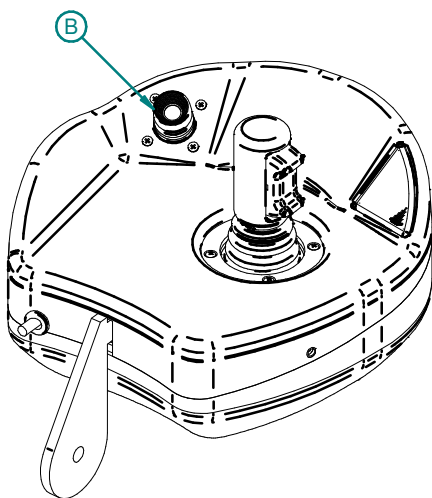
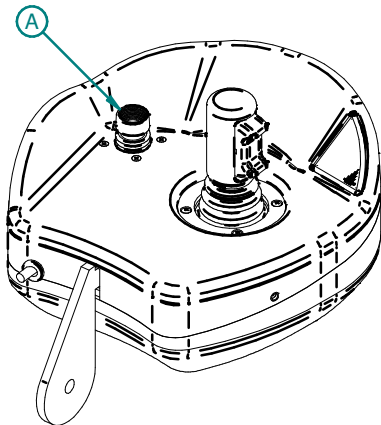
# Joystick options



Pos	Subject	Code
1	Joystick Otto JHM (standard)	J1
2	Joystick Otto JHM extended	J2
3	Joystick Otto JHM incl 5 buttons	J3

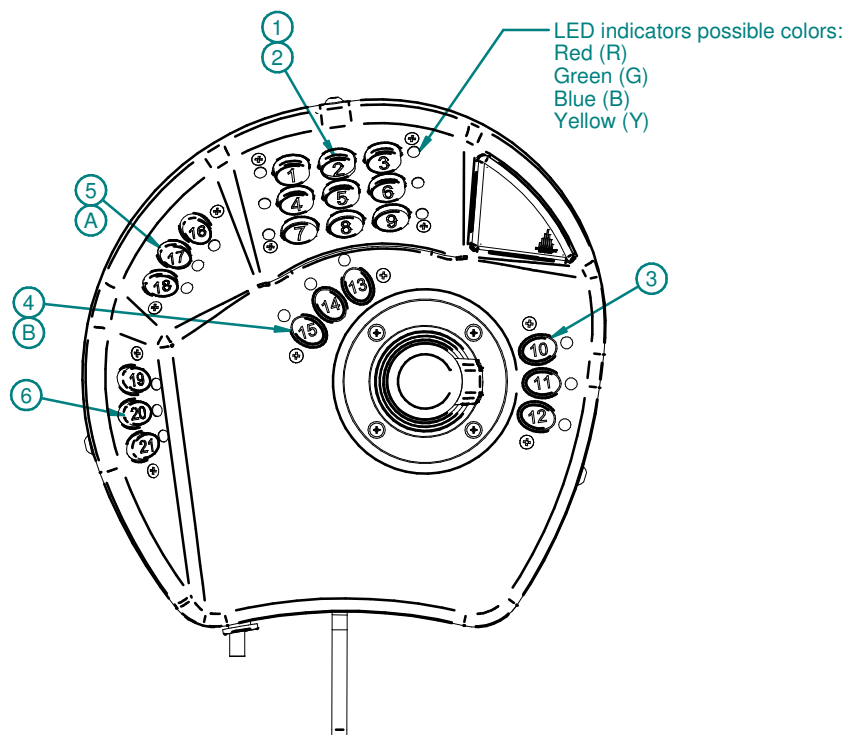
Skala 1:1 om annat ej anges	2				TJN	2019-11-07	 EP2006 Keypad Basic & options	Sida 3 av 10
För ej toleranssatta mått gäller +/- 1mm	1				2			 A4
Material	Denna ritning får ej utan vårt medgivande utlämnas till tredje person							

# Extra Joystick options



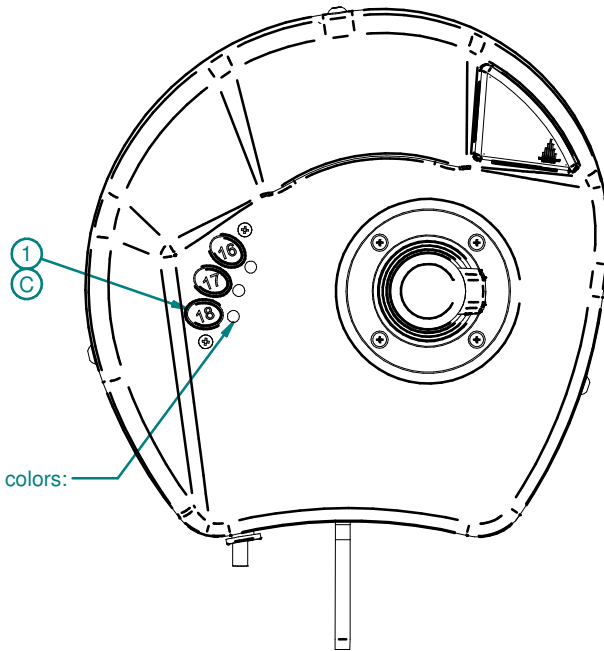
Pos	Subject	Code
1	Joystick HTL2, 1-axis (fwd-rev)	XJ1A
2	Joystick HTL2, 1-axis (sideways)	XJ2A
3	Joystick HTL4, 2-axis	XJ3A
4	Joystick HTL4, 2-axis (guided)	XJ4A
1	Joystick HTL2, 1-axis (fwd-rev)	XJ1B
2	Joystick HTL2, 1-axis (sideways)	XJ2B
3	Joystick HTL4, 2-axis	XJ3B
4	Joystick HTL4, 2-axis (guided)	XJ4B

# Keys & silicone options

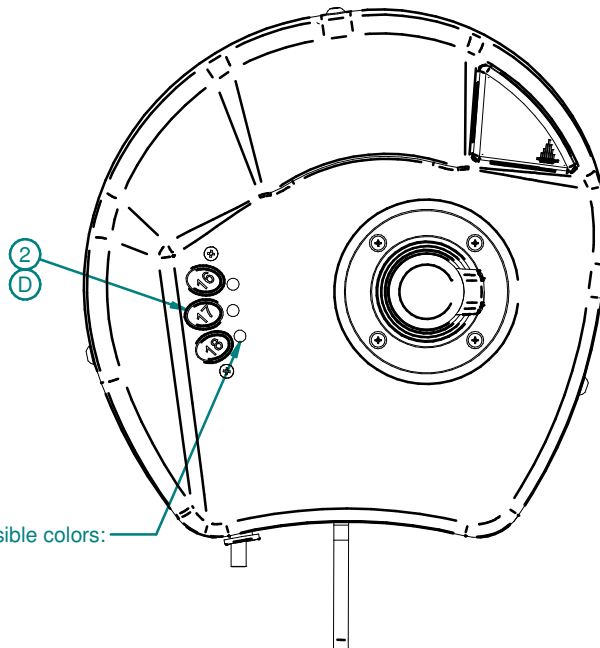


Pos	Subject	Code
1	Silicone set (1x9, 4x3) no 1-21	SC1
2	9-button keyboard 1-9	K1-9A
2	LED Indicator 1	L1A (R)(G)(B)(Y)
2	LED Indicator 3	L3A (R)(G)(B)(Y)
2	LED Indicator 4	L4A (R)(G)(B)(Y)
2	LED Indicator 6	L6A (R)(G)(B)(Y)
2	LED Indicator 7	L7A (R)(G)(B)(Y)
2	LED Indicator 9	L9A (R)(G)(B)(Y)
3	3-button keyboard 10-12	K10-12B
3	LED Indicator 10	L10B (R)(G)(B)(Y)
3	LED Indicator 11	L11B (R)(G)(B)(Y)
3	LED Indicator 12	L12B (R)(G)(B)(Y)
4	3-button keyboard 13-15 (pos B)	K13-15B
4	LED Indicator 13 (pos B)	L13B (R)(G)(B)(Y)
4	LED Indicator 14 (pos B)	L14B (R)(G)(B)(Y)
4	LED Indicator 15 (posB)	L15B (R)(G)(B)(Y)
5	3-button keyboard 16-18 (pos A)	K16-18A
5	LED Indicator 16 (pos A)	L16A (R)(G)(B)(Y)
5	LED Indicator 17 (pos A)	L17A (R)(G)(B)(Y)
5	LED Indicator 18 (pos A)	L18A (R)(G)(B)(Y)
6	3-button keyboard 19-21	K19-21A
6	LED Indicator 19	L19A (R)(G)(B)(Y)
6	LED Indicator 20	L20A (R)(G)(B)(Y)
6	LED Indicator 21	L21A (R)(G)(B)(Y)

# Alternative Keys positions



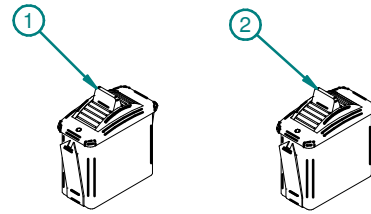
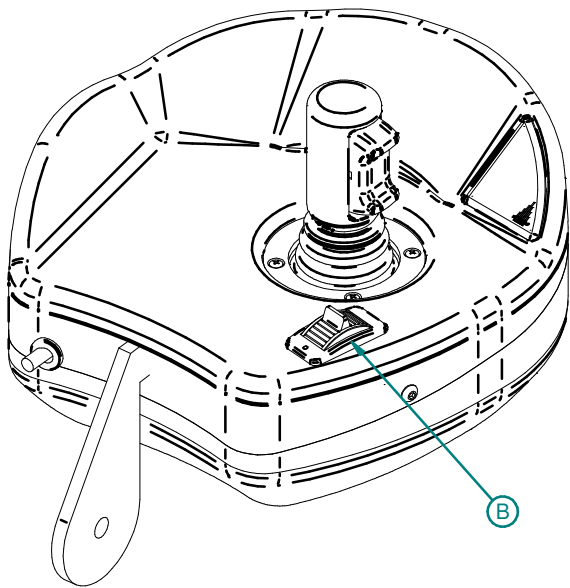
LED indicators possible colors:  
 Red (R)  
 Green (G)  
 Blue (B)  
 Yellow (Y)




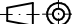
LED indicators possible colors:  
 Red (R)  
 Green (G)  
 Blue (B)  
 Yellow (Y)

Pos	Subject	Code
1	3-button keyboard 16-18 (pos C)	K16-18C
1	LED Indicator 16 (pos C)	L16C (R)(G)(B)(Y)
1	LED Indicator 17 (pos C)	L17C (R)(G)(B)(Y)
1	LED Indicator 18 (pos C)	L18C (R)(G)(B)(Y)
2	3-button keyboard 16-18 (pos D)	K16-18D
2	LED Indicator 16 (pos D)	L16D (R)(G)(B)(Y)
2	LED Indicator 17 (pos D)	L17D (R)(G)(B)(Y)
2	LED Indicator 18 (pos D)	L18D (R)(G)(B)(Y)

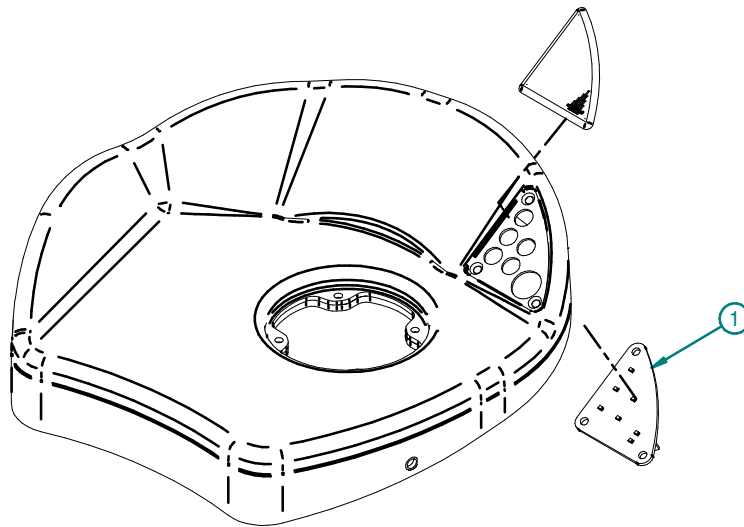
# Roller Wheel options




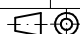
Pos	Subject	Code
1	Roller HTW Friction	R1B
2	Roller HTW Spring Return	R2B

Skala 1:1 om annat ej anges	2				TJN	2019-11-07		EP2006 Keypad Basic & options	Sida 7 av 10	
För ej toleranssatta mått gäller +/- 1mm	1				2				 A4	EP2006
Material	Pos	Ändring	Sign	Datum	Denna ritning får ej utan vårt medgivande utlämnas till tredje person					

# LED Indicator options

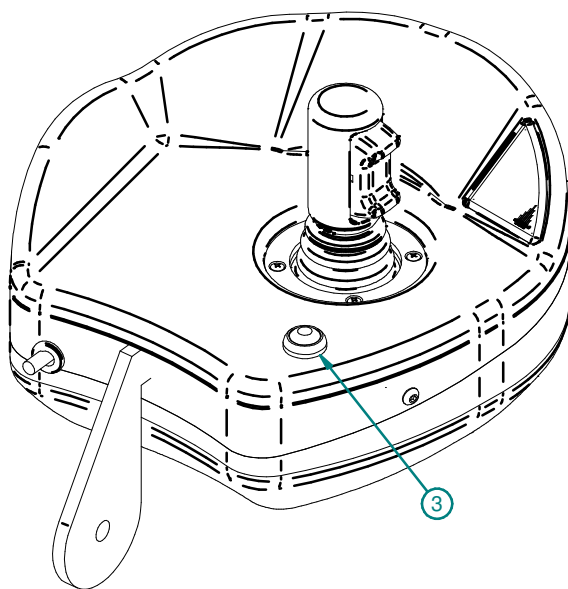
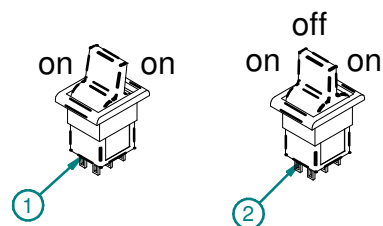
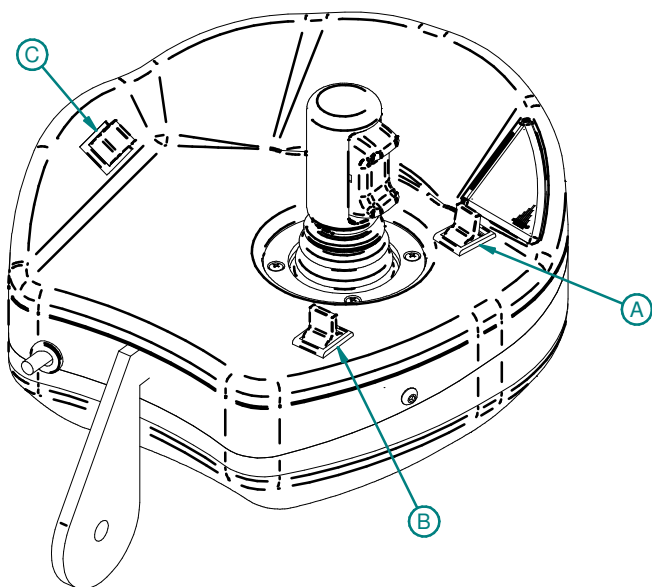


Pos	Subject	Code
1	LED Circuit board	LD
	Basic background light for logotype. As options possible to get 5 different symbols that can be activated by LED	

Skala 1:1 om annat ej anges	2				TJN	2019-11-07		EP2006 Keypad Basic & options	Sida 8 av 10
För ej toleranssatta mått gäller +/- 1mm	1				2				
Material	Pos	Ändring	Sign	Datum	 A4				EP2006
Denna ritning får ej utan vårt medgivande utlämnas till tredje person									

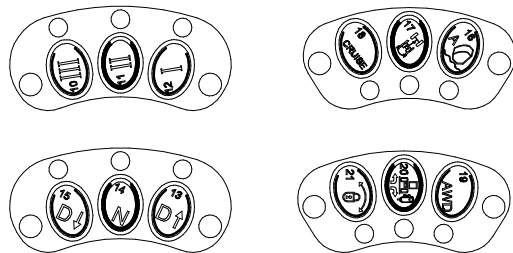
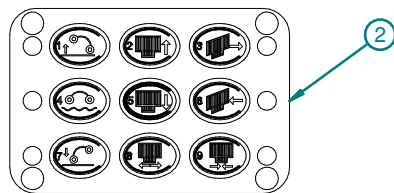
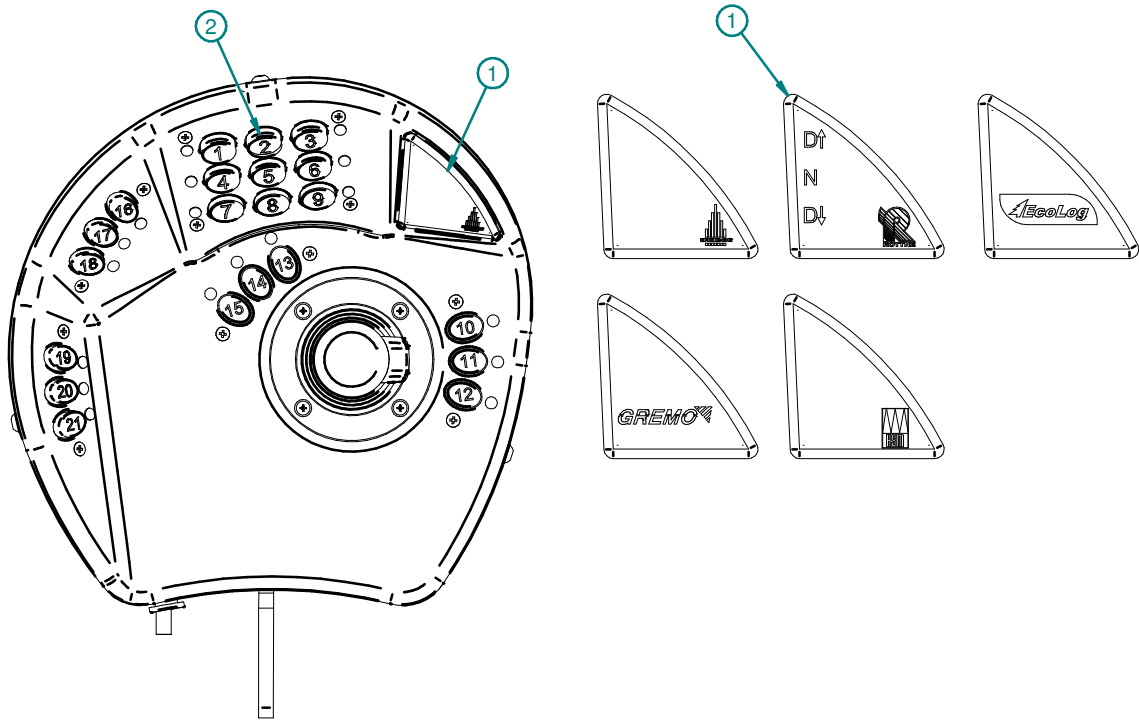


## Extra switch options



Pos	Subject	Code
1	Rocker switch 2-way	RS2A
1	Rocker switch 2-way	RS2B
1	Rocker switch 2-way	RS2C
2	Rocker switch 3-way	RS3A
2	Rocker switch 3-way	RS3B
2	Rocker switch 3-way	RS3C
3	Push button switch	PB1A

# Customer designed options



Pos	Subject	Code
1	Customer designed decal	CD
2	Customer designed silicone	CS

Name/Brand	
Typ of Machine	
Model/s	
Contact	
Datum / rev	

Config Code	Description	Left	Right
<b>BL1</b>	EP2006 Left basic model incl CAN		
<b>BR1</b>	EP2006 Right basic model incl CAN		
<b>AB1</b>	EP2006 Armrest bracket Sittab 2LK		
<b>AB2</b>	EP2006 Armrest bracket Sittab 2LK		
<b>AB3</b>	EP2006 Armrest bracket Sittab 2LL/LK		
<b>J1</b>	EP2006 Joystick Otto JHM std		
<b>J2</b>	EP2006 Joystick Otto JHM extended		
<b>J3</b>	EP2006 Joystick Otto JHM 5-button		
<b>XJ1A</b>	Joystick HTL2, 1-axis (fwd-rev)		
<b>XJ2A</b>	Joystick HTL2, 1-axis (sideways)		
<b>XJ3A</b>	Joystick HTL4, 2-axis		
<b>XJ4A</b>	Joystick HTL4, 2-axis (guided)		
<b>XJ1B</b>	Joystick HTL2, 1-axis (fwd-rev)		
<b>XJ2B</b>	Joystick HTL2, 1-axis (sideways)		
<b>XJ3B</b>	Joystick HTL4, 2-axis		
<b>XJ4B</b>	Joystick HTL4, 2-axis (guided)		
<b>K1-9A</b>	9-button keyboard 1-9		
<b>L1A (R)(G)(B)(Y)</b>	LED Indicator 1		
<b>L3A (R)(G)(B)(Y)</b>	LED Indicator 3		
<b>L4A (R)(G)(B)(Y)</b>	LED Indicator 4		
<b>L6A (R)(G)(B)(Y)</b>	LED Indicator 6		
<b>L7A (R)(G)(B)(Y)</b>	LED Indicator 7		
<b>L9A (R)(G)(B)(Y)</b>	LED Indicator 9		
<b>K10-12B</b>	3-button keyboard 10-12		
<b>L10B (R)(G)(B)(Y)</b>	LED Indicator 10		
<b>L11B (R)(G)(B)(Y)</b>	LED Indicator 11		
<b>L12B (R)(G)(B)(Y)</b>	LED Indicator 12		
<b>K13-15B</b>	3-button keyboard 13-15 (pos B)		
<b>L13B (R)(G)(B)(Y)</b>	LED Indicator 13 (pos B)		
<b>L14B (R)(G)(B)(Y)</b>	LED Indicator 14 (pos B)		
<b>L15B (R)(G)(B)(Y)</b>	LED Indicator 15 (posB)		
<b>K16-18A</b>	3-button keyboard 16-18 (pos A)		
<b>L16A (R)(G)(B)(Y)</b>	LED Indicator 16 (pos A)		
<b>L17A (R)(G)(B)(Y)</b>	LED Indicator 17 (pos A)		
<b>L18A (R)(G)(B)(Y)</b>	LED Indicator 18 (pos A)		
<b>K19-21A</b>	3-button keyboard 19-21		
<b>L19A (R)(G)(B)(Y)</b>	LED Indicator 19		
<b>L20A (R)(G)(B)(Y)</b>	LED Indicator 20		
<b>L21A (R)(G)(B)(Y)</b>	LED Indicator 21		

Config Code	Description	Left	Right
<b>K16-18C</b>	3-button keyboard 16-18 (pos C)		
<b>L16C (R)(G)(B)(Y)</b>	LED Indicator 16 (pos C)		
<b>L17C (R)(G)(B)(Y)</b>	LED Indicator 17 (pos C)		
<b>L18C (R)(G)(B)(Y)</b>	LED Indicator 18 (pos C)		
<b>K16-18D</b>	3-button keyboard 16-18 (pos D)		
<b>L16D (R)(G)(B)(Y)</b>	LED Indicator 16 (pos D)		
<b>L17D (R)(G)(B)(Y)</b>	LED Indicator 17 (pos D)		
<b>L18D (R)(G)(B)(Y)</b>	LED Indicator 18 (pos D)		
<b>R1B</b>	EP2006 Roller HTW friction		
<b>R2B</b>	EP2006 Roller HTW Spring Return		
<b>LD</b>	EP2006 LED Circuit board		
<b>RS2A</b>	Rocker switch 2-way		
<b>RS2B</b>	Rocker switch 2-way		
<b>RS2C</b>	Rocker switch 2-way		
<b>RS3A</b>	Rocker switch 3-way		
<b>RS3B</b>	Rocker switch 3-way		
<b>RS3C</b>	Rocker switch 3-way		
<b>PB1A</b>	Push button switch		
<b>CD</b>	EP2006 Customer designed decal Startup cost will apply		
<b>CS</b>	EP2006 Customer designed silicone Startup cost will apply		