

EC MH GRÄNSSNITT STANDARD REDSKAP



Utgåva: 3
Dokument nr: R10020-SE
Datum: 2021-05-04

ExciControl MH



Displaystyrd redskapshantering för hjullastare

Maskinmodell: Utrustad med EC MH

Programversion: Display fr.o.m. 2.3, Styr dator fr.o.m. 2.0

EC MH GRÄNSSNITT STANDARD REDSKAP Utgåva 3 Dokument: R10020-SE Datum: 2021-05-04	EC MH Displaystyrd redskapsstyrning	Programversion: Display: fr.o.m. 2.3 EC MH: fr.o.m .2.0
--	---	--

Innehållsförteckning

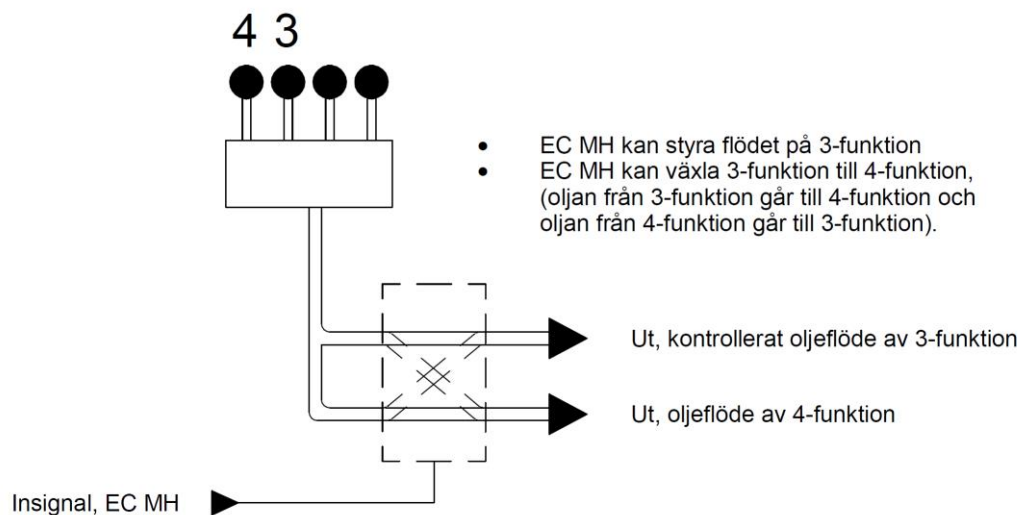
Innehållsförteckning	3	3. EC MH Standard Drivex.....	4
1 Allmänt	4	4. EC MH Standard Holms.....	5
2. EC MH Standard Excidor	4	5. Support	5

EC MH GRÄNSSNITT STANDARD REDSKAP Utgåva: 3 Dokument: R10020-SE Datum: 2021-05-04	EC MH Displaystyrd redskapsstyrning	Programversion: Display: fr.o.m 2.3 EC MH: fr.o.m. 2.0
---	---	---

1 Allmänt

EC MH är ett styr- & kontrollsystem för displaystyrd redskapshandling på hjulburna entreprenadmaskiner.

Genom att EC MH är monterat kan även oljeflödet på 3-funktion regleras och skifta till 4-funktion där ditt redskap efterfrågar detta.



Detta dokument beskriver gränssnittet mellan EC MH och redskapstillverkaren.

För bruk av redskapen med EC MH hänvisas till dokumentet EC MH förarmanual, displaystyrd redskapshandling för hjullastare. Önskas mer information om hur man använder sitt redskap ta kontakt med respektive redskapstillverkare.

2. EC MH Standard Excidor

Se appendix R10017K i slutet av detta dokument.

3. EC MH Standard Drivex

Se appendix R10018K i slutet av detta dokument.

EC MH GRÄNSSNITT STANDARD REDSKAP Utgåva: 3 Dokument: R10020-SE Datum: 2021-05-04	EC MH Displaystyrd redskapsstyrning	Programversion: Display: fr.o.m. 2.3 EC MH: fr.o.m. 2.0
---	---	--

4. EC MH Standard Holms

Se appendix R10019 i slutet av detta dokument.

5. Support

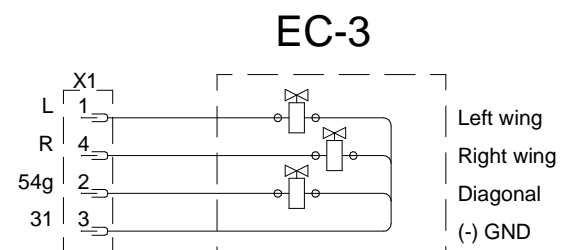
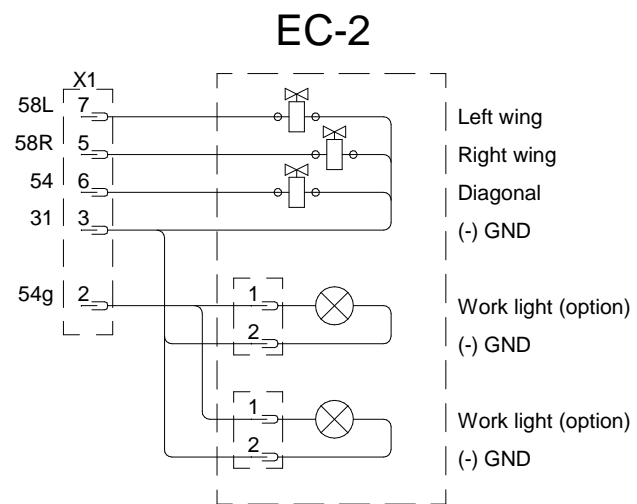
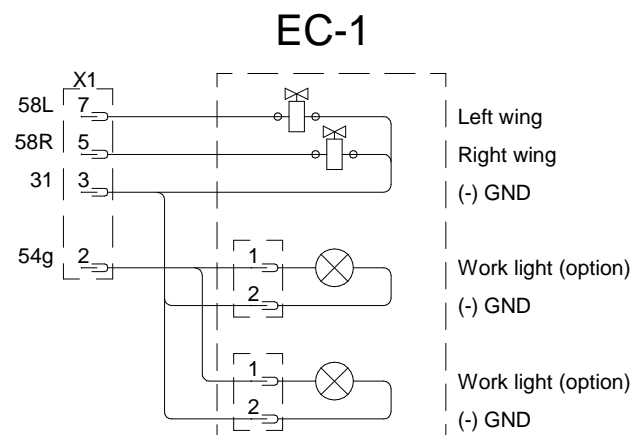
För support se:

- Ta kontakt med din redskapstillverkare.

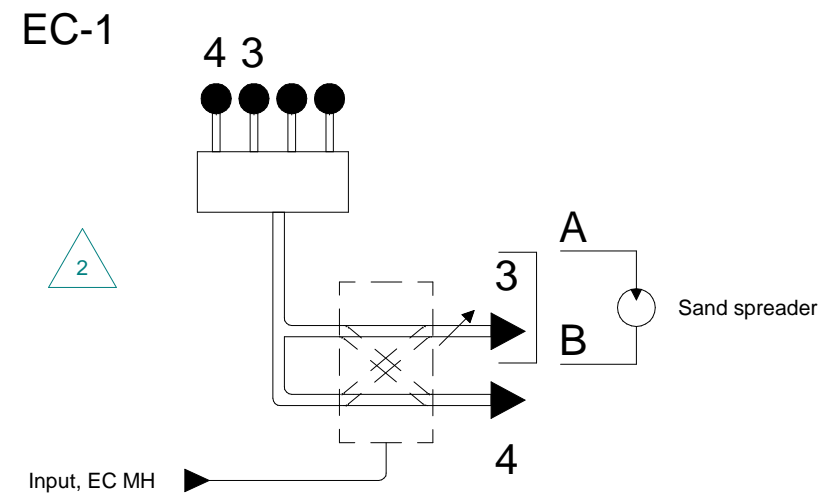
EC MH Interface Standars Tools Excidor

In a loading machine with electric levers, 3rd function is controlled electrically without Excidor's valve.

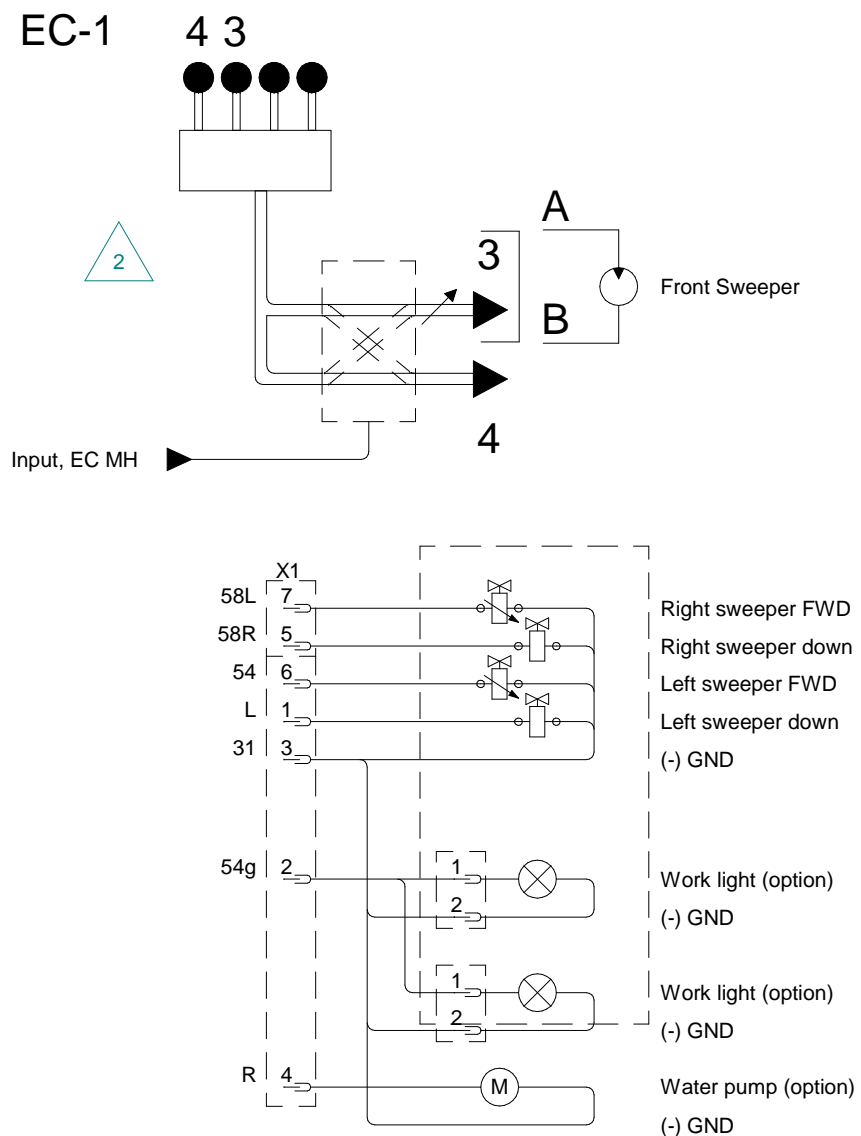
Folding ploug



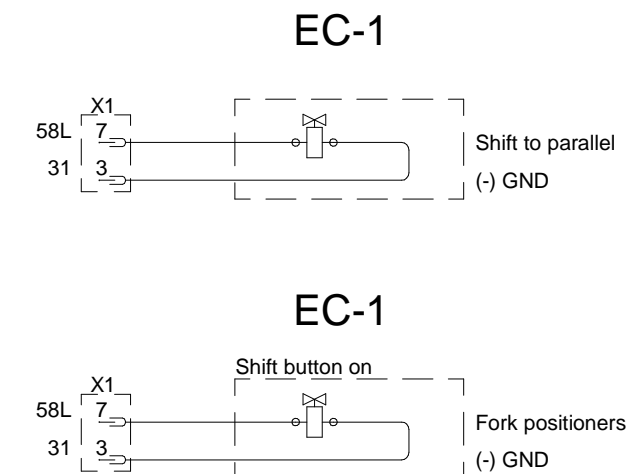
Sand spreader



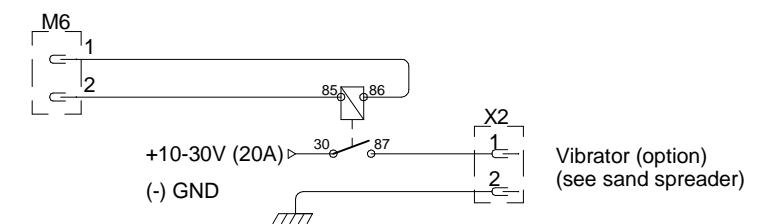
Sweeper



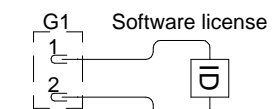
Fork lift



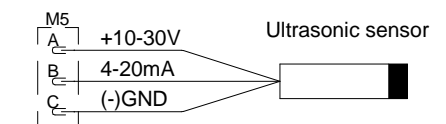
Option Vibrator



Option Software license



Option Sensor Turnable Coupler

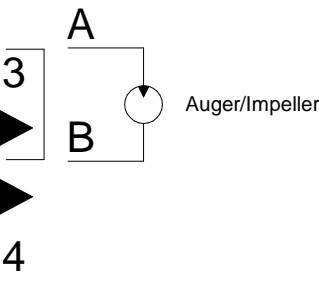
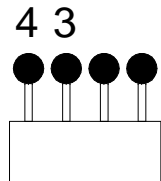


Item	Description
G1	Software tag plug, 2-pin Microfit
M5	Sensorplug, 3-pin Deutch
M6	Extra Relay Control, 2-pin Deutch
X1	Trailerplug 13-pin
X2	Extra power plug, auxiliary 3-pin socket

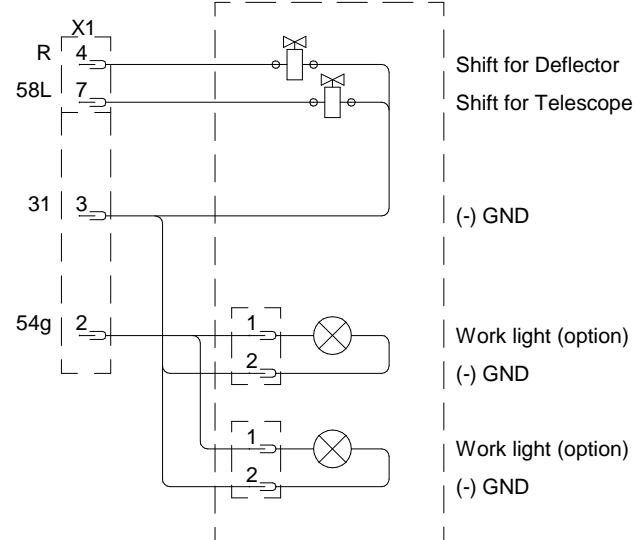
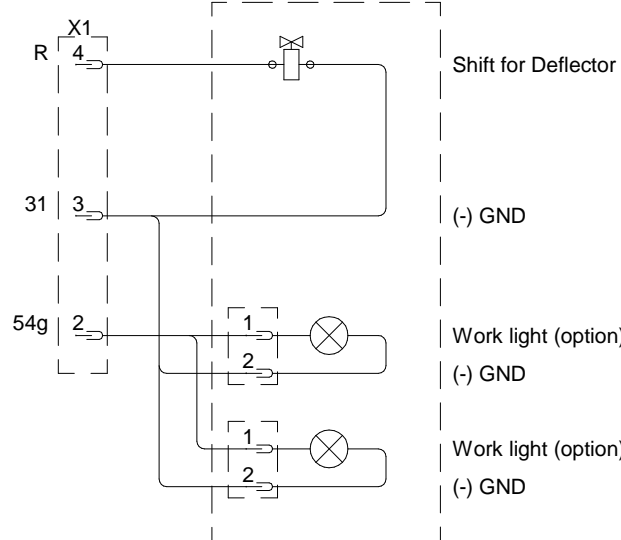
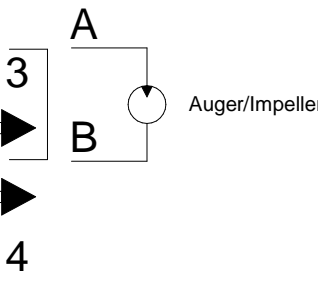
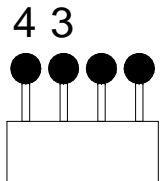
1	2	Clarification of the 3-function	TSv	2021-05-04	1,2	1	2
Note No	Qty	Subject	Author	Date	Doc page	Prod rev	Doc rev

Snow Blower

EC-1



EC-2

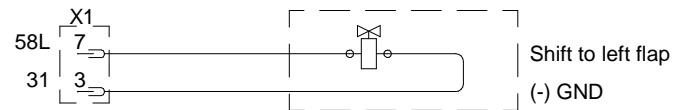


EC MH Interface Standard Tools Drivex

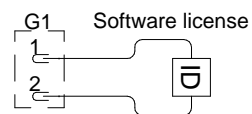
In a loading machine with electric levers, 3rd function is controlled electrically without Excidor's valve.

Flap bucket

DX-KS

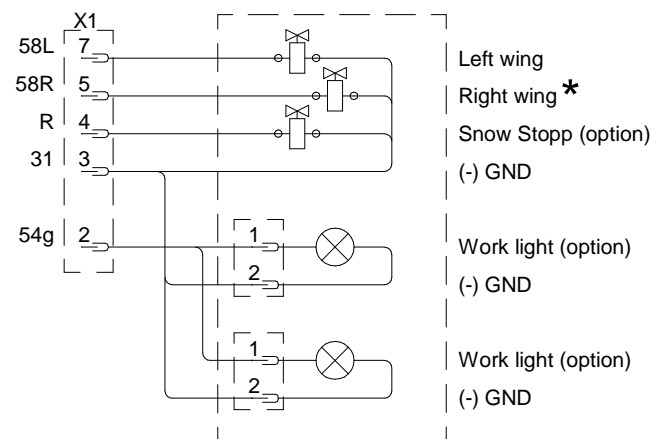


Option Software license



Folding ploug

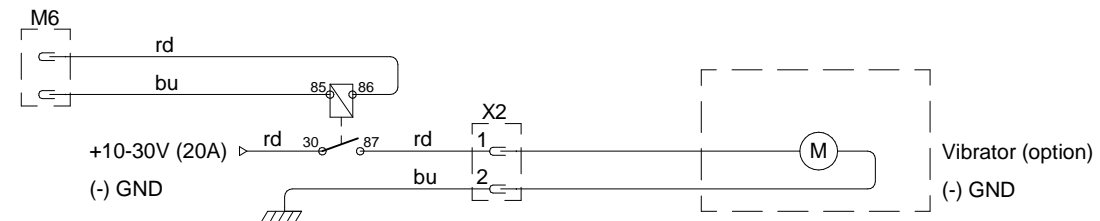
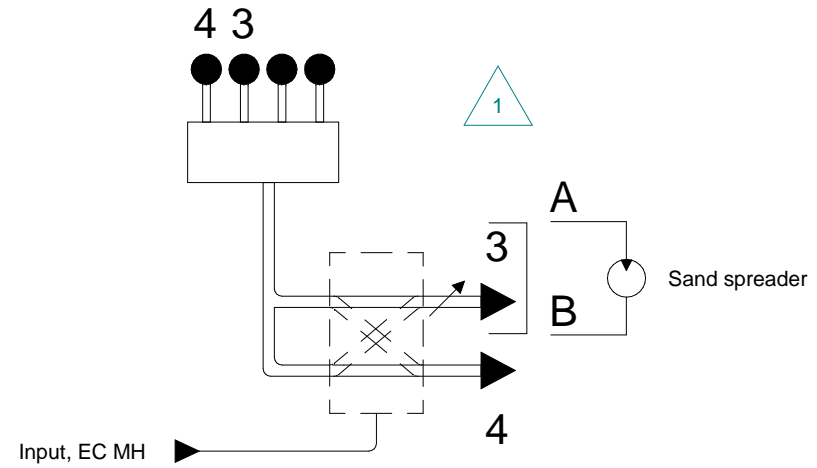
DX-VB



* Both valves, left and right, is active when operating left wing

Sand spreader

DX-SS



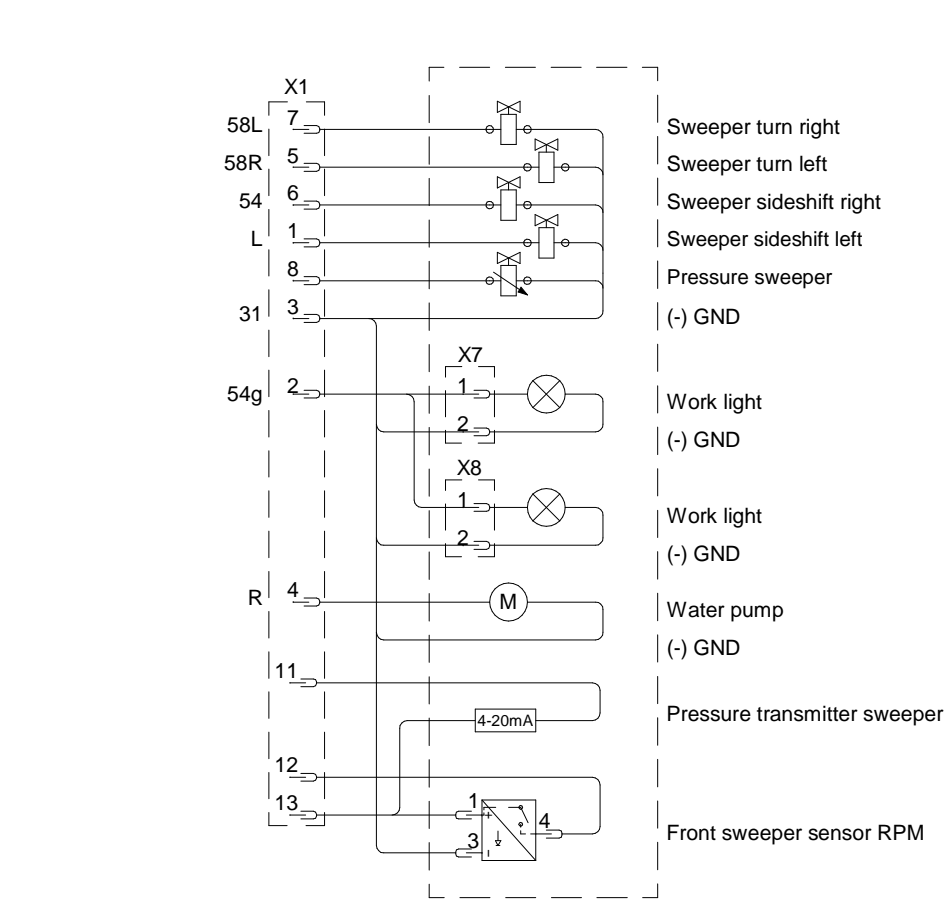
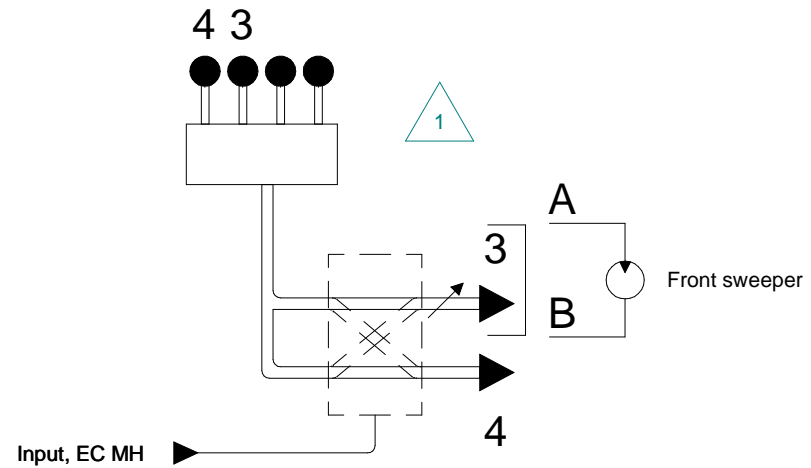
Item	Description
G1	Software tag plug, 2-pin Microfit
M5	Sensorplug, 3-pin Deutch
M6	Extra Relay Control, 2-pin Deutch
X1	Trailerplug 13-pin
X2	Extra power plug, auxiliary 3-pin socket

1	4	Clarification of the 3-function	TSv	2021-05-05	1,2	1	2
Note No	Qty	Subject	Author	Date	Doc page	Prod rev	Doc rev

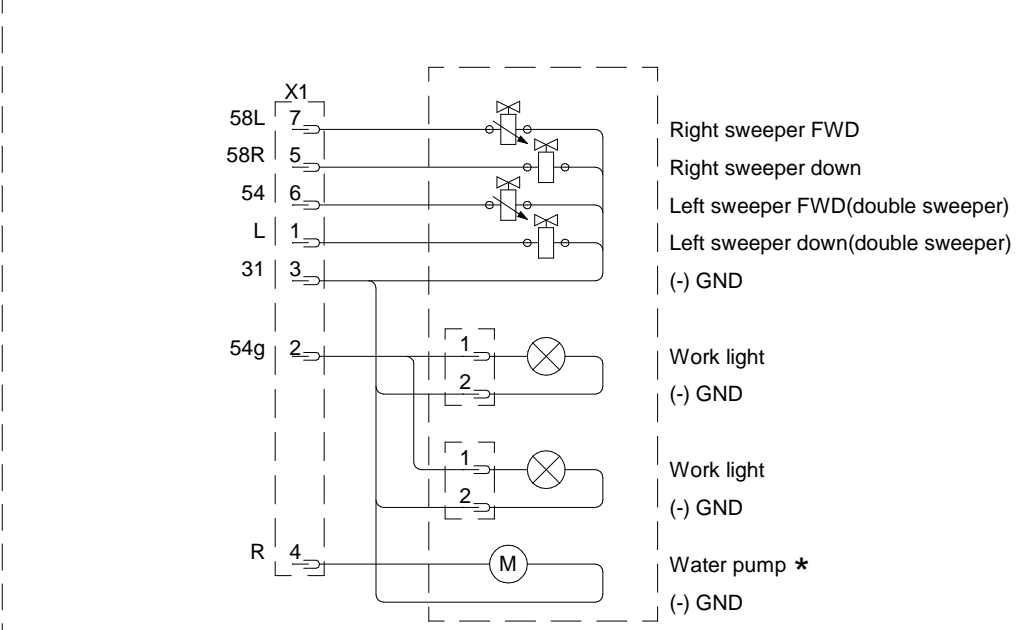
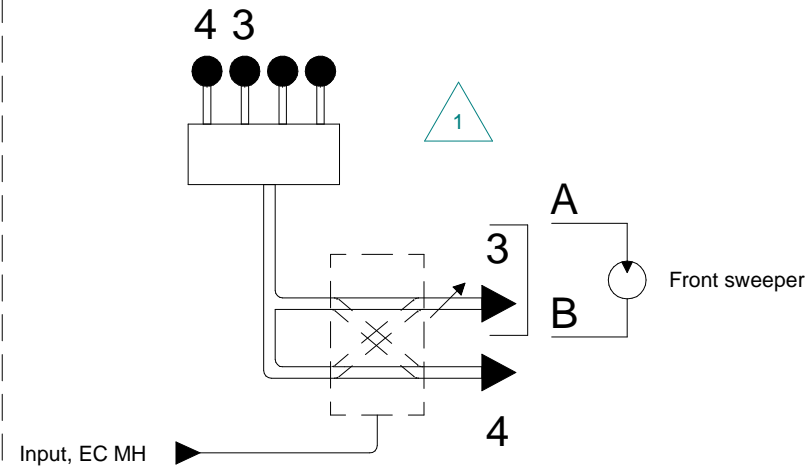
EC MH Interface Standard Tools Drivex

In a loading machine with electric levers, 3rd function is controlled electrically without Excidor's valve.

Sweeper DXFRB-25



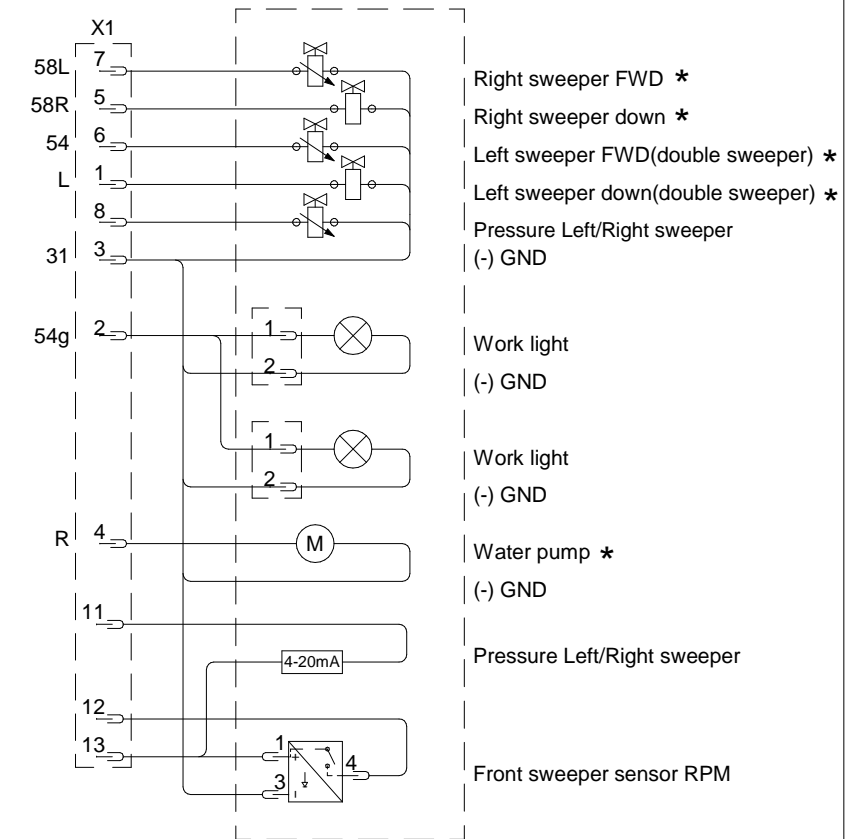
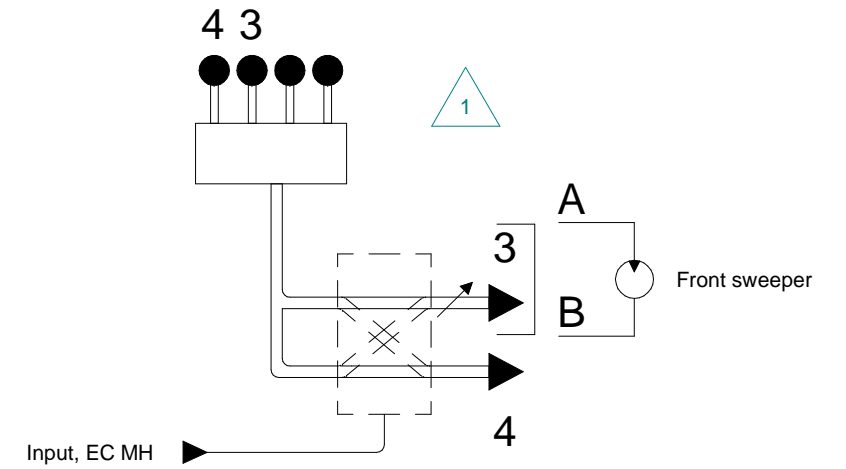
Sweeper DXT-250B



* Auto button in display(water)
When either X1 pin 5
or X1 pin 1 is activated starts
X1 pin 4 motor.

Auto button in display=Auto water

Sweeper DXU-25



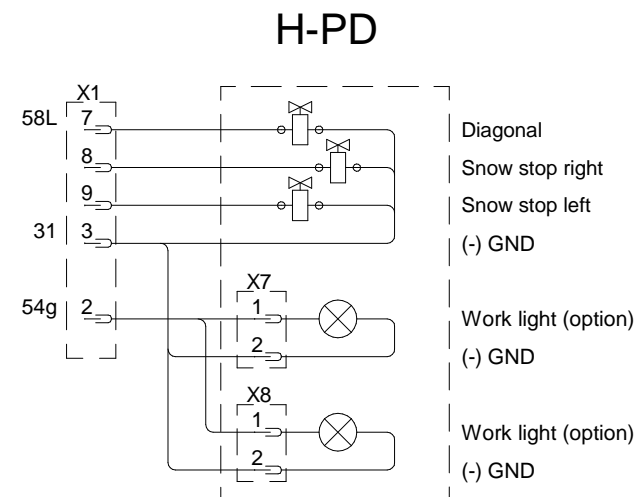
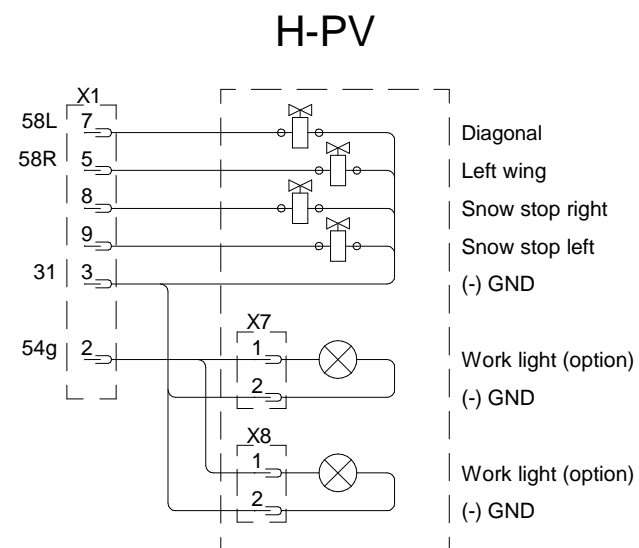
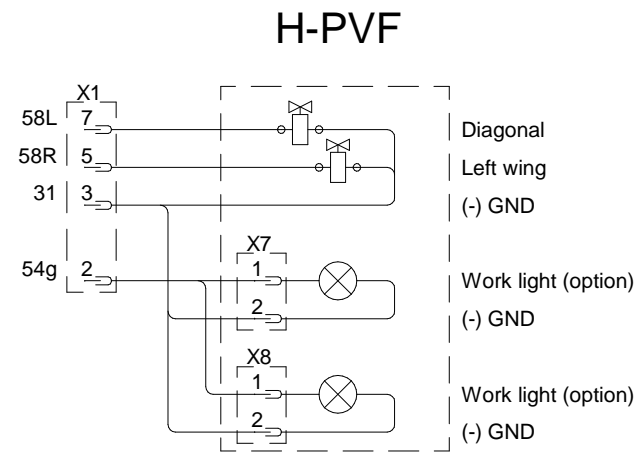
* Auto function button.
When pressure reaches over 45 bar
Auto OFF.
When pressure reaches under 40 bar
Auto ON.

Auto button in display=
Water pump,
Right sweeper FWD,
Right sweeper down,
Left sweeper(double sweeper),
Left sweeper down(double sweeper)

EC MH Interface Standard Tools Holms

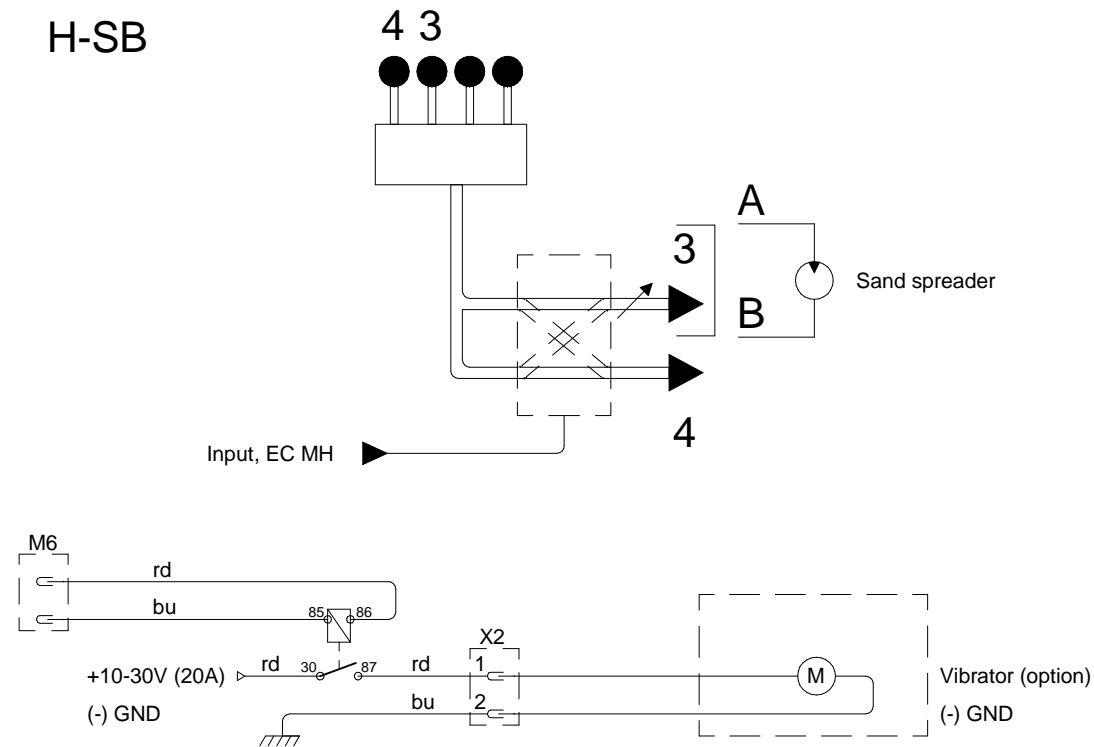
In a loading machine with electric levers, 3rd function is controlled electrically without Excidor's valve.

Folding plough

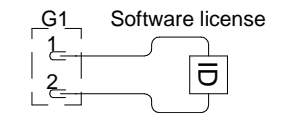


Sand spreader

H-SB



Option Software license



Item	Description
M6	Extra Relay Control, 2-pin Deutch
X1	Trailerplug 13-pin
X2	Extra power plug, auxiliary 3-pin socket

1	3	Add new tools	TSv	2021-05-04	2	1	2
Note No	Qty	Subject	Author	Date	Doc page	Prod rev	Doc rev
Document revision							

Material: -	Prod rev: 1	Doc rev: 2	Date: 2020-02-04	Page 1 of 2
For non-toleranced dimensions: Excidor std	Scale - unless otherwise stated	Prd.grp: 270	Author: TSv	Drawing/part no:
This drawing may not without our permission be extradited to third person			Sheet size: A3	R10019K

